

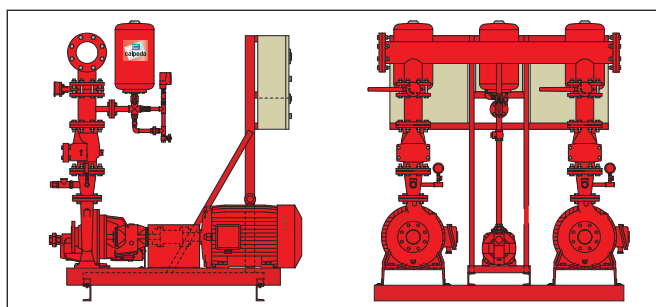
10/2010

AUE, AUD, AUED

UNI-EN 12845 fire-fighting systems



 **calpeda®**



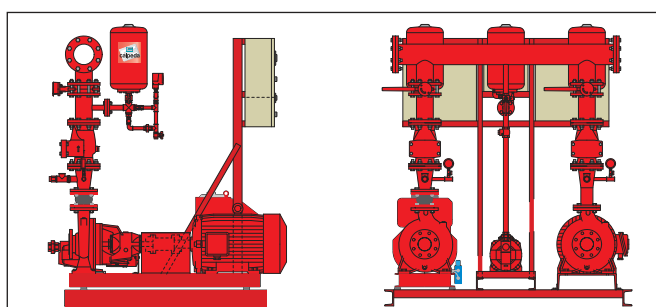
AUE 11

UNI-EN 12845 units with 1 N series electric main pump

pag. 444

AUE 21

UNI-EN 12845 units with 2 N series electric main pumps



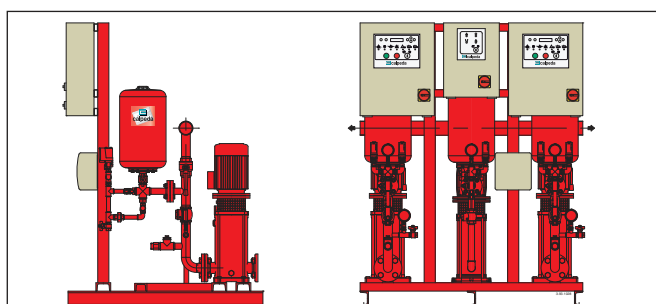
AUD 11

UNI-EN 12845 units with 1 N series main pump (diesel motor)

pag. 449

AUED 21

UNI-EN 12845 units with 2 N series main pumps (electric and diesel motors)



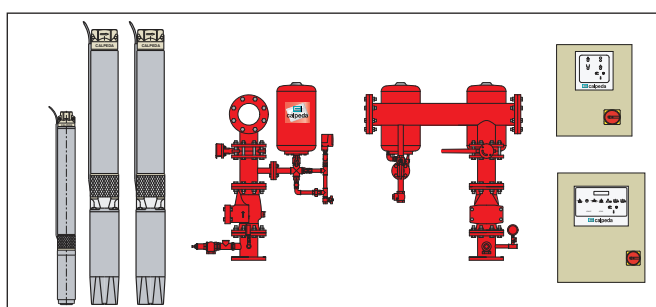
AUE 11

UNI-EN 12845 units with 1 MXV series multi-stage vertical electric main pump

pag. 454

AUE 21

UNI-EN 12845 units with 2 MXV series multi-stage vertical electric main pumps



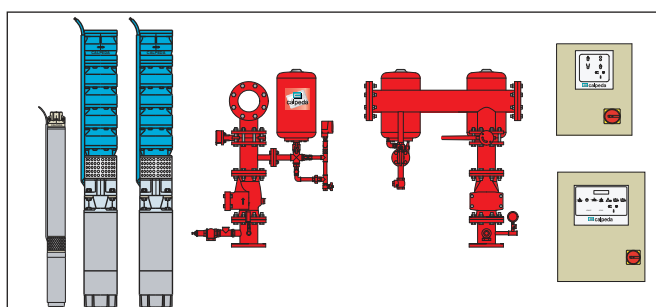
AUE 11

UNI-EN 12845 units with 1 SD series submersible borehole electric main pump

pag. 458

AUE 21

UNI-EN 12845 units with 2 SD series submersible borehole electric main pumps



AUE 11

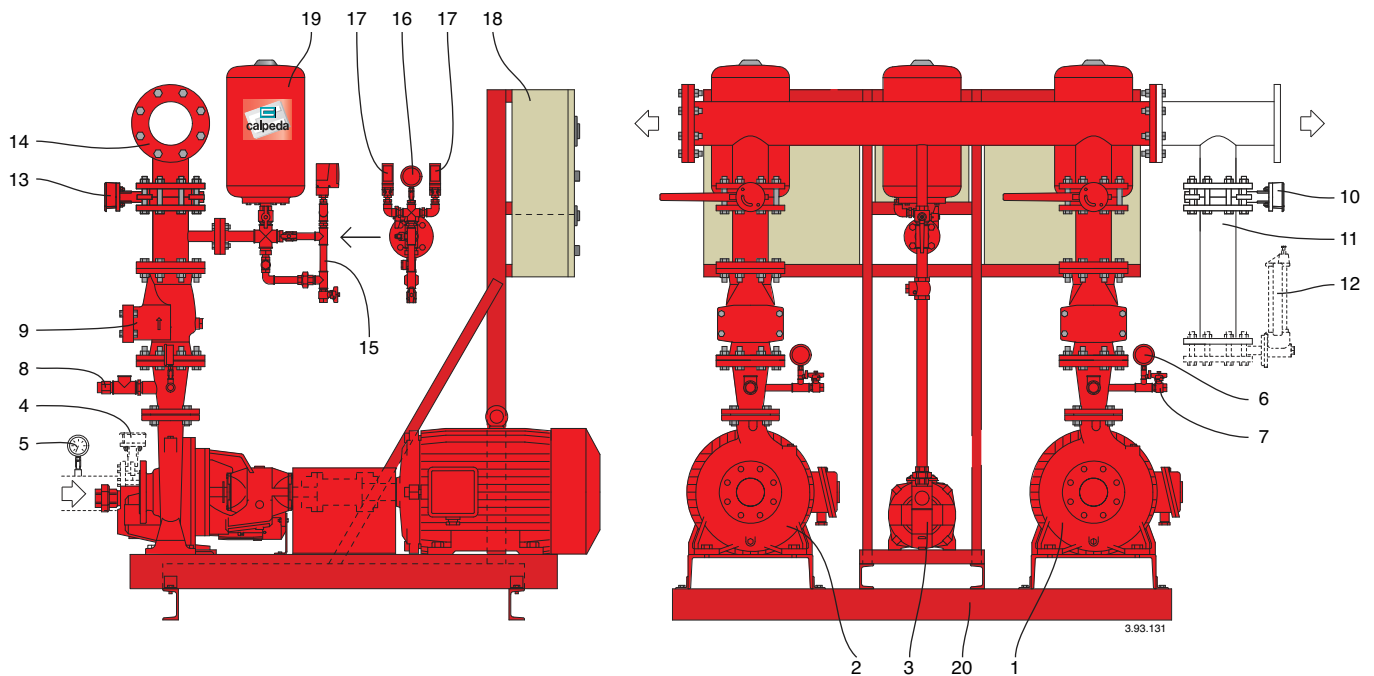
UNI-EN 12845 units with 1 SDS series submersible borehole electric main pump

pag. 463

AUE 21

UNI-EN 12845 units with 2 SDS series submersible borehole electric main pumps

Construction



- 1) Main pump
- 2) Main pump
- 3) Jockey pump
- 4) Butterfly valve in suction section (on request only for installation with positive head)
- 5) Vacuometer
- 6) Pressure gauge in delivery section
- 7) Ball valve for draining
- 8) Adjusted diaphragm
- 9) Non-return valve (accessible)
- 10) Butterfly valve for capacity-check system (on request)
- 11) Manifold for flow meter (on request)
- 12) Flow meter (on request)
- 13) Butterfly valve or ball valve in delivery section
- 14) Delivery manifold
- 15) Test circuit (manual) (one for each pump)
- 16) Pressure gauge
- 17) Starting pressure switches of main pumps
Starting pressure switch to stop jockey pump
- 18) Pressure gauge on the delivery manifold
- 19) Electric boxes (one for each pump)
- 20) Diaphragm tanks
- 21) Steel base for all pumps

All the butterfly valves or ball valve are locked in the normal position by means of a lock and key.
On request: anti-vibration couplings in both the suction and delivery sections.

AUE, AUD, AUED

UNI-EN 12845 fire-fighting systems



Construction

Units constructed in accordance with UNI-EN 12845 standards for automatic fire-fighting systems (with sprinkler) and according to UNI 10779 for fire-fighting systems with fire hydrants.

The units may be composed of 1 or 2 main pumps.

Units are fitted with a jockey pump, with which the system pressure level can be maintained without having to start the main pumps.

Application

For feeding water to automatic fire-fighting systems and units with hydrants.

Operation

The pumps start operating after a fall in the pressure level in the fire-extinguishing system.

The first pump to be triggered is the jockey pump.

If this pump cannot restore the pressure level, the main pump starts.

When there is more than one main pump, the pumps start in cascade sequence, with the starting pressure switches set at different pressure levels.

The pressure switches of the main pumps are used only for starting, as the pumps must be stopped manually for UNI-EN 12845 units or automatically with a timer for UNI 10779 sets.

The recirculation diaphragm allows for operation of the main pumps also when the delivery port is closed (with no consumption of water in the system), avoiding overheating of the water inside the pump body.

Weekly test (on request)

The programmable clock in the electric box controls the forced starting of the main pump (electric driven pump only).

The diaphragm avoids overheating of the water in the pump body.

Pumps

Main pumps

The main pumps can be :

N series: single stage horizontal centrifugal pumps

NMD series: centrifugal pumps with two impellers

MXV series: multistage vertical centrifugal pumps

SD-SDS- SDX series: submersible centrifugal borehole pumps

The N series centrifugal pumps are coupled with the electric or diesel motor through a bearing coupling. This solution allows to operate on the hydraulic part without moving the motor.

Jockey pump

Jockey pump can be a self-priming jet pump, a centrifugal pump with two impellers, a vertical multistage pump or a submersible borehole pump.

The maximum pressure developed by the jockey pump is always greater than the pressure of the main pumps.

Motors

Two-pole induction type, 50 Hz, n = 2,900 rpm

Three-phase 230/400V ± 10% up to 3 Kw

400/690V ± 10% 4 Kw and higher.

Insulation class F

Protection IP 54 for close coupled pumps, IP 55 for pumps with coupling and IP 68 for submersible borehole pumps.

Construction in accordance with: IEC 60034

Other voltage and frequency ratings available on request

Diesel motors (for standardised N-series pumps)

These are direct-injection pumps fitted with electric control box, fuel tank, starter batteries and silencer.

Hydraulic components

Each main pump is fitted with:

- Pressure and vacuum gauge in the suction section.
- Butterfly valve in the suction section (on request only for installation with positive suction head).
- Pressure gauge in the delivery section.
- Adjusted diaphragm.
- Pressure switch to indicate the pump is operating.
- Non-return valve of the accessible swing-type.
- Butterfly valve in the delivery section.
- Manual test circuit with pressure switches, pressure gauge, non-return valve and ball valve and cylindrical 20-liter (15 bar) tank (one for each pump).

The jockey pump is fitted with:

- Ball valve in the suction section (on request only if the pump has a positive suction head).
- Non-return valve and ball valve in the delivery section.
- Manual test circuit with pressure switch, pressure gauge, non-return valve and ball valve and cylindrical 20-liter (15 bar) tank (one for each pump).

Other components:

- Delivery manifold.
- Coupling for connection of a priming tank (only for the pumps installed with positive suction head).
- The suction manifold is never supplied as such execution is forbidden by the standards.
- The units with vertical multistage pumps and submersible borehole pumps with pressure higher than 6-7 bar are fitted with an adjustable safety valve to release the overpressure.

On request:

- Manifold for flow meter.
- Adjusted-flange, diaphragm type, flow meter.

Electric boxes

Electric main-pump box (electric motor)

Each main pump has its own electric control board housed in a metal cabinet with IP54 protection. The box contains the devices required for operation and control of the pump.

Motor starting is direct for power ratings up to 5.5 kW.

For motors with a rating equal to or higher than 7.5 kW pump starting is of the Y/Δ type with fuses, contactors and timer.

On request:

programmable clock for the weekly test.

Timer for pumps stop after 20 minutes (UNI 10779)

The following devices are located on the internal door panel:

- Line-sectioning handle - Voltmeter and ammeter with switch
- "Manual-0-Automatic" selector with extractible key only in "automatic" position - Start/Stop pushbuttons - Pilot lights to indicate: no-volt, pump running, voltage on.

Electric main-pump box (diesel motor)

This cabinet contains the electronic control devices for the control of the diesel motor and the battery chargers for feeding the starter accumulators.

The following devices are located on the front of the box:

- Line-sectioning handle.
- Front panel of the electronic unit.
- Manual-0-Automatic selector with extractible key only an "automatic" position.

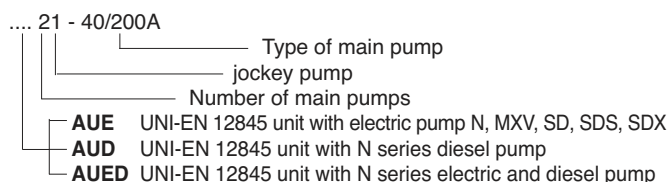
Electric jockey-pump box

When installed, the jockey pump is fitted with its own electric panel, metal housing with IP 54 protection.

Control box (on request).

To be installed in a place to be looked after, to signal any possible failure of the unit state. It must be connected to V.220 and it gives an acoustic and visual signal for 24 hours.

Designation of units



Control panels

UNI-EN 12845 fire-fighting systems



Control panels

QTPAN 1,1-1,5-5,5 kW
Jockey pumps control panel

QTPAN 1D 2,2÷5,5 kW
Main pump control panel
(D.O.L. starting)

QTPAN 1ST 9,2÷45 kW
Main pump control panel
(Y/Δ starting)

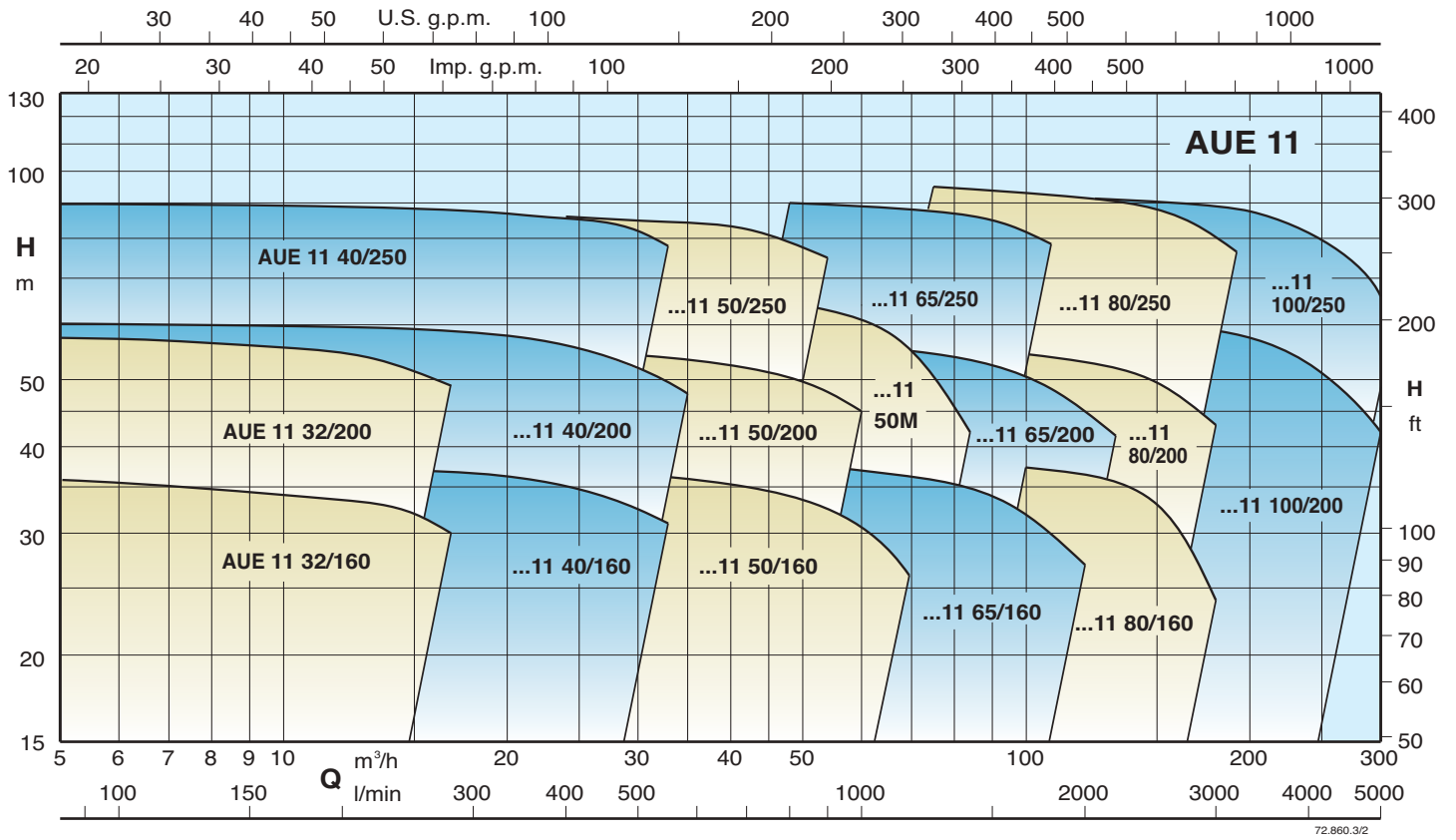
QTPAN 1ST 55÷75 kW
Main pump control panel (Y/Δ starting)

QANM 1
Main pump control panel (diesel motor)

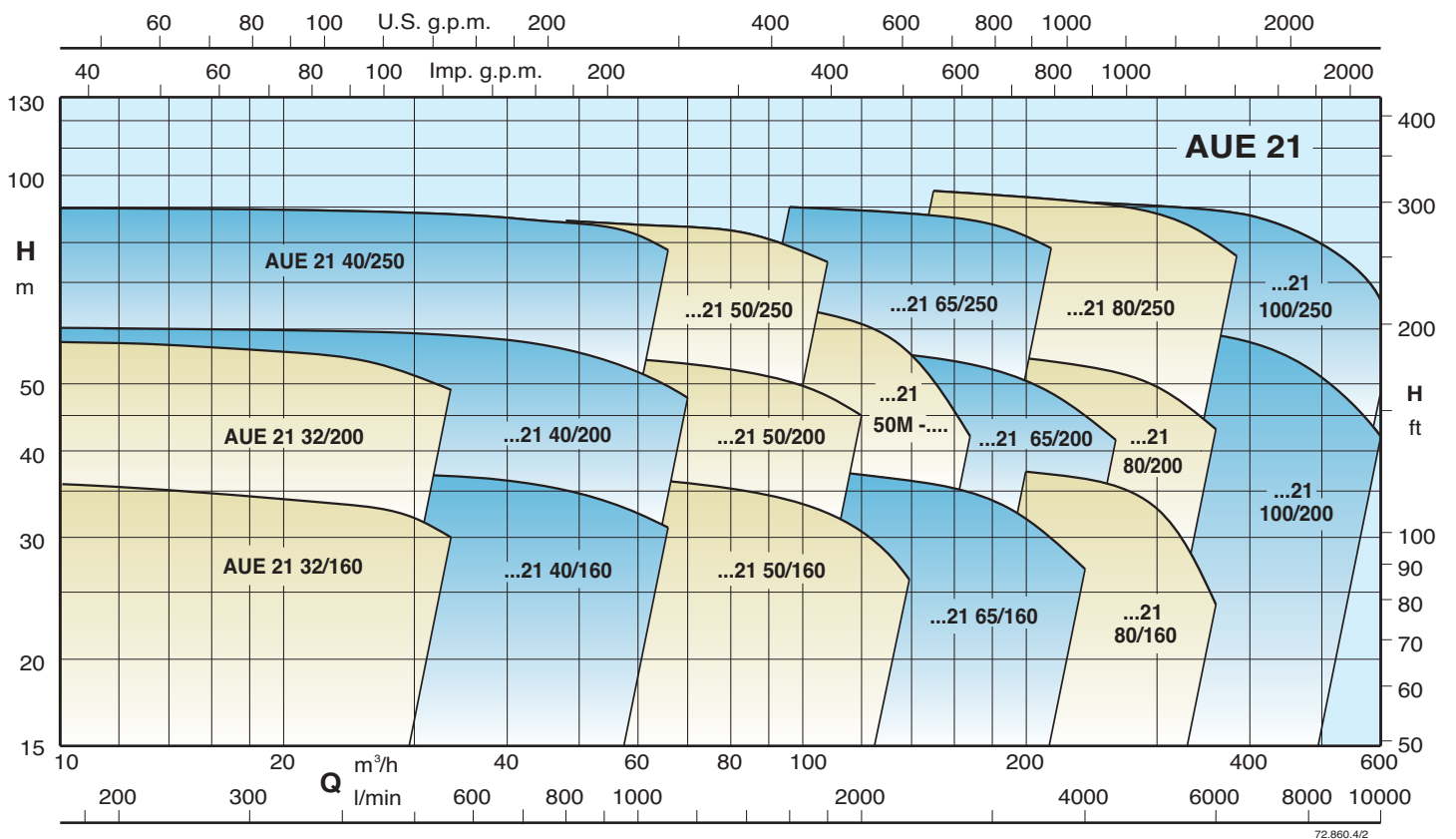
Accessories on request

<p>TPS 24 Weekly test supply 24 V</p>	<p>T20 - 24 Timer 20' - supply 24 V (according to UNI 10779)</p>	<p>QACR 11-21 Control panel for remote control</p>

With 1 electric pump



With 2 electric pumps



Performance

Unit designation		Power kW	Average capacity pump		Max. capacity pump		Pressure switch settings	
Main pump	Jockey pump		m ³ /h	m	m ³ /h	m	Main pump bar	Jockey pump bar
AUE 11 - 32/160A/A	NG 5/18E	3 + 1,1	12	34	16,8	30	2,7 ÷ 3,3	3 ÷ 3,6
AUE 11 - 32/200C/A	NG 5/16E	4 + 1,1	12	41	16,8	36	3,6 ÷ 4,2	4 ÷ 4,7
AUE 11 - 32/200A/A	NG 6/18E	5,5 + 1,5	12	54,5	16,8	49	4,7 ÷ 5,4	5 ÷ 5,7
AUE 11 - 40/160B/A	NG 5/18E	4 + 1,1	22,5	29,5	30	25,5	2,3 ÷ 2,9	2,8 ÷ 3,5
AUE 11 - 40/160A/A	NG 5/18E	5,5 + 1,1	24	35	33	31	2,8 ÷ 3,4	3,3 ÷ 4
AUE 11 - 40/200C/A	NG 5/16E	5,5 + 1,1	21	41	27	36,5	3,4 ÷ 4	3,8 ÷ 4,4
AUE 11 - 40/200B/A	NG 6/18E	7,5 + 1,5	24	48	33	40,5	4 ÷ 4,7	4,5 ÷ 5,5
AUE 11 - 40/200AR/A	NG 6/18E	7,5 + 1,5	21	53	27	49	4,5 ÷ 5,2	5 ÷ 5,7
AUE 11 - 40/200A/A	NG 6/18E	9,2 + 1,5	29	53	42	40	4,9 ÷ 5,5	5,3 ÷ 6
AUE 11 - 40/250C/A	NG 7/18E	11 + 2,2	24	60	33	52	5,2 ÷ 5,8	5,5 ÷ 6,3
AUE 11 - 40/250B/A	NG 7/16E	15 + 2,2	24	68	33	62	6,2 ÷ 6,8	6,5 ÷ 7,3
AUE 11 - 40/250A/A	NG 7/16E	18,5 + 2,2	24	85	33	78	7,6 ÷ 8,2	8 ÷ 8,6
AUE 11 - 50/160B/A	NG 5/18E	5,5 + 1,1	50	27	66	21	2,1 ÷ 2,7	2,5 ÷ 3,2
AUE 11 - 50/160A/A	NG 5/18E	9,2 + 1,1	53	33	75	23	2,6 ÷ 3,2	3 ÷ 3,7
AUE 11 - 50/200B/A	NG 5/16E	11 + 1,1	42	44,5	60	37	3,8 ÷ 4,4	4,2 ÷ 4,9
AUE 11 - 50/200A/A	NG 6/18E	15 + 1,5	42	52	60	45	4,6 ÷ 5,2	5 ÷ 5,7
AUE 11 - 50/250C/A	NG 6/18E	15 + 1,5	39	54	54	40	5 ÷ 5,6	5,4 ÷ 6
AUE 11 - 50/250B/A	NG 7/16E	18,5 + 2,2	39	67	54	60	6 ÷ 6,6	6,4 ÷ 7,1
AUE 11 - 50/250A/A	NG 7/16E	22 + 2,2	39	83	54	75	7,5 ÷ 8,2	7,8 ÷ 8,5
AUE 11 - 50M/E/A	NG 6/18E	15 + 1,5	51	42	75	24	3,8 ÷ 4,4	4,2 ÷ 4,9
AUE 11 - 50M/D/A	NG 6/18E	18,5 + 1,5	57	50	84	25	4,6 ÷ 5,3	5 ÷ 5,8
AUE 11 - 50M/C/A	NG 7/18E	22 + 2,2	57	62	84	42	5,7 ÷ 6,4	6,2 ÷ 6,9
AUE 11 - 65/160B/A	NG 5/18E	15 + 1,1	84	30	120	22	2,4 ÷ 3	2,8 ÷ 3,5
AUE 11 - 65/160A/A	NG 5/18E	18,5 + 1,1	84	35	120	27	2,8 ÷ 3,4	3,2 ÷ 3,8
AUE 11 - 65/200C/A	NG 5/16E	18,5 + 1,1	90	38,5	132	27	3,4 ÷ 4	3,8 ÷ 4,5
AUE 11 - 65/200B/A	NG 5/16E	22 + 1,1	90	45,5	132	35	3,9 ÷ 4,5	4,3 ÷ 5
AUE 11 - 65/200A/A	NG 6/18E	30 + 1,5	90	52	132	41,5	4,5 ÷ 5,2	5 ÷ 5,6
AUE 11 - 65/250C	NG 7/18E	30 + 2,2	78	59	108	50	5,4 ÷ 6	5,8 ÷ 6,5
AUE 11 - 65/250B	NG 7/16E	37 + 2,2	78	76	108	67	7 ÷ 7,6	7,4 ÷ 8
AUE 11 - 65/250A	NMD 25/190AE	45 + 4	78	87	108	78	7,8 ÷ 8,5	8,3 ÷ 9
AUE 11 - 80/160B/A	NG 5/18E	18,5 + 1,1	128	31	180	18	2,4 ÷ 3	2,8 ÷ 3,5
AUE 11 - 80/160A/A	NG 5/18E	22 + 1,1	128	36	180	24	2,8 ÷ 3,4	3,3 ÷ 3,9
AUE 11 - 80/200B	NG 6/18E	30 + 1,5	128	42	180	32	3,5 ÷ 4,2	4 ÷ 4,7
AUE 11 - 80/200A	NG 6/18E	37 + 1,5	128	52	180	43	4,5 ÷ 5,2	5 ÷ 5,7
AUE 11 - 80/250E	NG 6/18E	30 + 1,5	128	43	180	29	4,1 ÷ 4,7	4,5 ÷ 5,1
AUE 11 - 80/250D	NG 7/18E	37 + 2,2	134	56	192	41	5,5 ÷ 6,1	5,9 ÷ 6,5
AUE 11 - 80/250C	NG 7/16E	45 + 2,2	134	67	192	51	6,3 ÷ 6,9	6,8 ÷ 7,4
AUE 11 - 80/250B	NG 7/16E	55 + 2,2	134	78	192	63	7,2 ÷ 7,9	7,8 ÷ 8,4
AUE 11 - 80/250A	NMD 25/190AE	75 + 4	134	90	192	76	8,3 ÷ 9	8,8 ÷ 9,4
AUE 11 - 100/200E	NG 5/22E	22 + 1,1	174	26	240	19	2 ÷ 2,6	2,4 ÷ 3
AUE 11 - 100/200D	NG 6/22E	30 + 1,5	189	31	270	19	2,5 ÷ 3,2	3 ÷ 3,7
AUE 11 - 100/200C	NG 7/22E	37 + 2,2	204	39	300	22	3,5 ÷ 4,1	3,9 ÷ 4,6
AUE 11 - 100/200B	NG 7/18E	45 + 2,2	204	48	300	32	4,4 ÷ 5	4,8 ÷ 5,5
AUE 11 - 100/200A	NG 7/18E	55 + 2,2	204	57	300	42	4,8 ÷ 5,5	5,4 ÷ 6
AUE 11 - 100/250B	NG 7/16E	75 + 2,2	204	65	300	48	6 ÷ 6,8	6,6 ÷ 7,3
AUE 11 - 100/250A	NMD 25/190AE	92 + 4	204	85	300	67	7,8 ÷ 8,5	8,2 ÷ 9

Performance

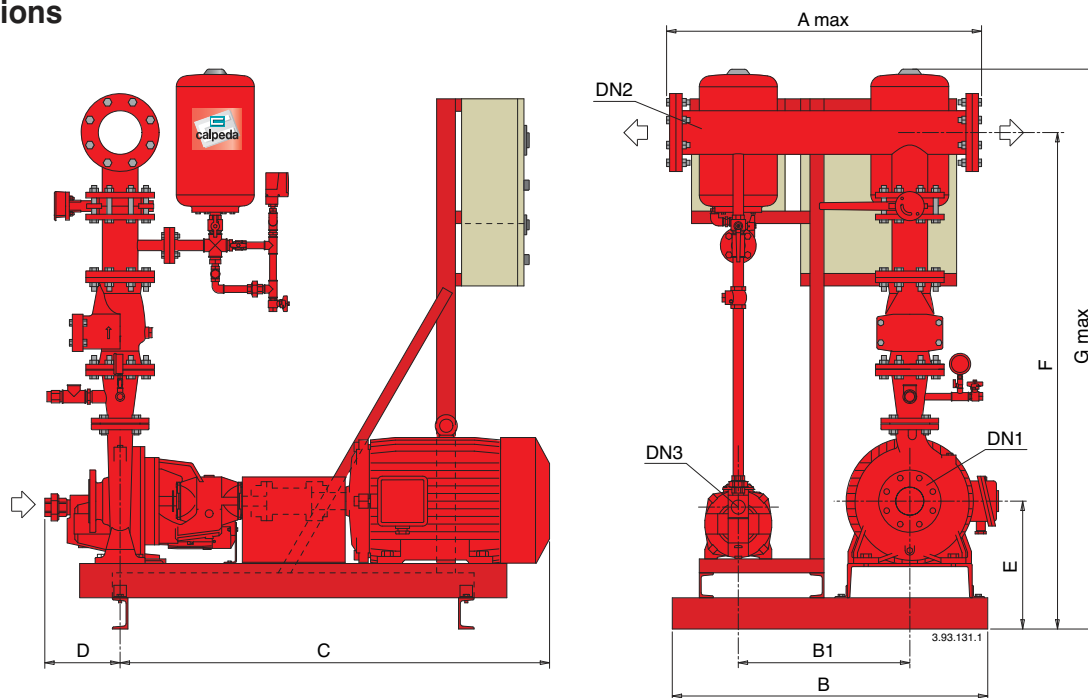
Unit designation	Main pump	Jockey pump	Power kW	Average capacity of one pump		Max. capacity of one pump		Pressure switch settings		
				m ³ /h	m	m ³ /h	m	Main pump 1 bar	Main pump 2 bar	Jockey pump bar
AUE 21 - 32/160A/A	NG 5/18E	3 + 3 + 1,1	12	34	16,8	30	2,7 ÷ 3,3	2,3 ÷ 2,9	3 ÷ 3,6	
AUE 21 - 32/200C/A	NG 5/16E	4 + 4 + 1,1	12	41	16,8	36	3,6 ÷ 4,2	3,2 ÷ 3,8	4 ÷ 4,7	
AUE 21 - 32/200A/A	NG 6/18E	5,5+5,5+1,5	12	54,5	16,8	49	4,7 ÷ 5,4	4,3 ÷ 5	5 ÷ 5,7	
AUE 21 - 40/160B/A	NG 5/18E	4 + 4 + 1,1	22,5	29,5	30	25,5	2,3 ÷ 2,9	1,9 ÷ 2,5	2,8 ÷ 3,5	
AUE 21 - 40/160A/A	NG 5/18E	5,5+5,5+1,1	24	35	33	31	2,8 ÷ 3,4	2,4 ÷ 3	3,3 ÷ 4	
AUE 21 - 40/200C/A	NG 5/16E	5,5+5,5+1,1	21	41	27	36,5	3,4 ÷ 4	3 ÷ 3,6	3,8 ÷ 4,4	
AUE 21 - 40/200B/A	NG 6/18E	7,5+7,5+1,5	24	48	33	40,5	4 ÷ 4,7	3,6 ÷ 4,3	4,5 ÷ 5,5	
AUE 21 - 40/200AR/A	NG 6/18E	7,5+7,5+1,5	21	53	27	49	4,5 ÷ 5,2	4,1 ÷ 4,8	5 ÷ 5,7	
AUE 21 - 40/200A/A	NG 6/18E	9,2+9,2+1,5	29	53	42	40	4,9 ÷ 5,5	4,5 ÷ 5,1	5,3 ÷ 6	
AUE 21 - 40/250C/A	NG 7/18E	11 + 11 + 2,2	24	60	33	52	5,2 ÷ 5,8	4,8 ÷ 5,4	5,5 ÷ 6,3	
AUE 21 - 40/250B/A	NG 7/16E	15 + 15 + 2,2	24	68	33	62	6,2 ÷ 6,8	5,8 ÷ 6,4	6,5 ÷ 7,3	
AUE 21 - 40/250A/A	NG 7/16E	18,5+18,5+2,2	24	85	33	78	7,6 ÷ 8,2	7,2 ÷ 7,8	8 ÷ 8,6	
AUE 21 - 50/160B/A	NG 5/18E	5,5+5,5+1,1	50	27	66	21	2,1 ÷ 2,7	1,7 ÷ 2,3	2,5 ÷ 3,2	
AUE 21 - 50/160A/A	NG 5/18E	9,2+9,2+1,1	53	33	75	23	2,6 ÷ 3,2	2,2 ÷ 2,8	3 ÷ 3,7	
AUE 21 - 50/200B/A	NG 5/16E	11 + 11 + 1,1	41	44,5	60	37	3,8 ÷ 4,4	3,4 ÷ 4	4,2 ÷ 4,9	
AUE 21 - 50/200A/A	NG 6/18E	15 + 15 + 1,5	41	52	60	45	4,6 ÷ 5,2	4,2 ÷ 4,8	5 ÷ 5,7	
AUE 21 - 50/250C/A	NG 6/18E	15 + 15 + 1,5	39	54	54	40	5 ÷ 5,6	4,6 ÷ 5,2	5,4 ÷ 6	
AUE 21 - 50/250B/A	NG 7/16E	18,5+18,5+2,2	39	67	54	60	6 ÷ 6,6	5,6 ÷ 6,2	6,4 ÷ 7,1	
AUE 21 - 50/250A/A	NG 7/16E	22 + 22 + 2,2	39	83	54	75	7,5 ÷ 8,2	7,1 ÷ 7,8	7,8 ÷ 8,5	
AUE 21 - 50M/E/A	NG 6/18E	15 + 15 + 1,5	51	42	75	24	3,8 ÷ 4,4	3,4 ÷ 4	4,2 ÷ 4,9	
AUE 21 - 50M/D/A	NG 6/18E	18,5+18,5+1,5	57	50	84	25	4,6 ÷ 5,3	4,2 ÷ 4,9	5 ÷ 5,8	
AUE 21 - 50M/C/A	NG 7/18E	22 + 22 + 2,2	57	62	84	42	5,7 ÷ 6,4	5,3 ÷ 6	6,2 ÷ 6,9	
AUE 21 - 65/160B/A	NG 5/18E	15 + 15 + 1,1	84	30	120	22	2,4 ÷ 3	2 ÷ 2,6	2,8 ÷ 3,5	
AUE 21 - 65/160A/A	NG 5/18E	18,5+18,5+1,1	84	35	120	27	2,8 ÷ 3,4	2,4 ÷ 3	3,2 ÷ 3,8	
AUE 21 - 65/200C/A	NG 5/16E	18,5+18,5+1,1	90	38,5	132	27	3,4 ÷ 4	3 ÷ 3,6	3,8 ÷ 4,5	
AUE 21 - 65/200B/A	NG 5/16E	22 + 22 + 1,1	90	45,5	132	35	3,9 ÷ 4,5	3,5 ÷ 4,1	4,3 ÷ 5	
AUE 21 - 65/200A/A	NG 6/18E	30 + 30 + 1,5	90	52	132	41,5	4,5 ÷ 5,2	4,1 ÷ 4,8	5 ÷ 5,6	
AUE 21 - 65/250C	NG 7/18E	30 + 30 + 2,2	78	59	108	50	5,4 ÷ 6	5 ÷ 5,6	5,8 ÷ 6,5	
AUE 21 - 65/250B	NG 7/16E	37 + 37 + 2,2	78	76	108	67	7 ÷ 7,6	6,6 ÷ 7,2	7,4 ÷ 8	
AUE 21 - 65/250A	NMD 25/190AE	45 + 45 + 4	78	87	108	78	7,8 ÷ 8,5	7,4 ÷ 8,1	8,3 ÷ 9	
AUE 21 - 80/160B/A	NG 5/18E	18,5+18,5+1,1	128	31	180	18	2,4 ÷ 3	2 ÷ 2,6	2,8 ÷ 3,5	
AUE 21 - 80/160A/A	NG 5/18E	22 + 22 + 1,1	128	36	180	24	2,8 ÷ 3,4	2,4 ÷ 3	3,3 ÷ 3,9	
AUE 21 - 80/200B	NG 6/18E	30 + 30 + 1,5	128	42	180	32	3,5 ÷ 4,2	3,1 ÷ 3,8	4 ÷ 4,7	
AUE 21 - 80/200A	NG 6/18E	37 + 37 + 1,5	128	52	180	43	4,5 ÷ 5,2	4,1 ÷ 4,8	5 ÷ 5,7	
AUE 21 - 80/250E	NG 6/18E	30 + 30 + 1,5	128	43	180	29	4,1 ÷ 4,7	3,7 ÷ 4,3	4,5 ÷ 5,1	
AUE 21 - 80/250D	NG 7/18E	37 + 37 + 2,2	134	56	192	41	5,5 ÷ 6,1	5,1 ÷ 5,7	5,9 ÷ 6,5	
AUE 21 - 80/250C	NG 7/16E	45 + 45 + 2,2	134	67	192	51	6,3 ÷ 6,9	5,9 ÷ 6,5	6,8 ÷ 7,4	
AUE 21 - 80/250B	NG 7/16E	55 + 55 + 2,2	134	78	192	63	7,2 ÷ 7,9	6,8 ÷ 7,5	7,8 ÷ 8,4	
AUE 21 - 80/250A	NMD 25/190AE	75 + 75 + 4	134	90	192	76	8,3 ÷ 9	7,9 ÷ 8,6	8,8 ÷ 9,4	
AUE 21 - 100/200E	NG 5/22E	22 + 22 + 1,1	174	26	240	19	2 ÷ 2,6	1,6 ÷ 2,2	2,4 ÷ 3	
AUE 21 - 100/200D	NG 6/22E	30 + 30 + 1,5	189	31	270	19	2,5 ÷ 3,2	2,1 ÷ 2,8	3 ÷ 3,7	
AUE 21 - 100/200C	NG 7/22E	37 + 37 + 2,2	204	39	300	22	3,5 ÷ 4,1	3,1 ÷ 3,7	3,9 ÷ 4,6	
AUE 21 - 100/200B	NG 7/18E	45 + 45 + 2,2	204	48	300	32	4,4 ÷ 5	4 ÷ 4,6	4,8 ÷ 5,5	
AUE 21 - 100/200A	NG 7/18E	55 + 55 + 2,2	204	57	300	42	4,8 ÷ 5,5	4,4 ÷ 5,1	5,4 ÷ 6	
AUE 21 - 100/250B	NG 7/16E	75 + 75 + 2,2	204	65	300	48	6 ÷ 6,8	5,6 ÷ 6,4	6,6 ÷ 7,3	
AUE 21 - 100/250A	NMD 25/190AE	92 + 92 + 4	204	85	300	67	7,8 ÷ 8,5	7,4 ÷ 8,1	8,2 ÷ 9	

AUE 11

UNI-EN 12845 units with 1 electric main pump

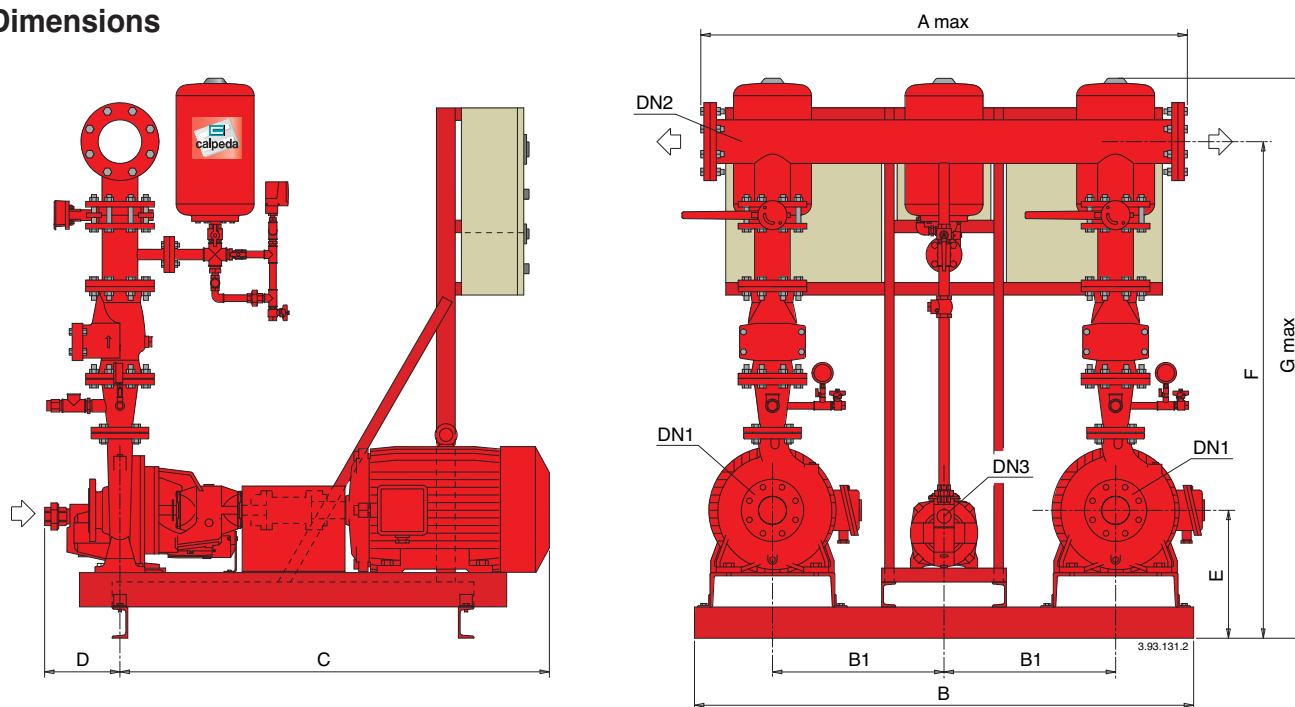


Dimensions



Unit designation		Connections			Dimensions							
					mm							
Main pump	Jockey pump	DN 1	DN 2	DN 3	A	B	B1	C	D	E	F	G
AUE 11 - 32/160A/A	NG 5/18E	50	G2	G 1 1/2	750	900	500	835	240	317	1150	1500
AUE 11 - 32/200C/A	NG 5/16E	50	G2	G 1 1/2	750	900	500	855	240	345	1200	1500
AUE 11 - 32/200A/A	NG 6/18E							915		360		
AUE 11 - 40/160B/A	NG 5/18E	65	65	G 1 1/2	800	900	500	835	240	317	1290	1530
AUE 11 - 40/160A/A	NG 5/18E							855				
AUE 11 - 40/200C/A	NG 5/16E	65	65	G 1 1/2	800	950	500	855	240	360	1355	1600
AUE 11 - 40/200B/A	NG 6/18E							915				
AUE 11 - 40/200AR/A	NG 6/18E							915				
AUE 11 - 40/200A/A	NG 6/18E							915				
AUE 11 - 40/250C/A	NG 7/18E	65	65	G 1 1/2	800	950	500	955	240	380	1420	1660
AUE 11 - 40/250B/A	NG 7/16E							1060				
AUE 11 - 40/250A/A	NG 7/16E							1060				
AUE 11 - 50/160B/A	NG 5/18E	65	80	G 1 1/2	850	950	550	915	240	360	1380	1615
AUE 11 - 50/160A/A	NG 5/18E							915				
AUE 11 - 50/200B/A	NG 5/18E	65	80	G 1 1/2	850	1000	550	955	240	360	1400	1635
AUE 11 - 50/200A/A	NG 6/18E							1060				
AUE 11 - 50/250C/A	NG 6/18E	65	80	G 1 1/2	850	1000	550	1060	240	380	1445	1700
AUE 11 - 50/250B/A	NG 7/16E							1060				
AUE 11 - 50/250A/A	NG 7/16E							1100				
AUE 11 - 50ME/A	NG 6/18E	65	80	G 1 1/2	850	1000	550	1060	240	380	1445	1700
AUE 11 - 50M/D/A	NG 6/18E							1100				
AUE 11 - 50M/C/A	NG 7/18E							1100				
AUE 11 - 65/160B/A	NG 5/18E	80	100	G 1 1/2	850	1000	550	1060	240	360	1480	1700
AUE 11 - 65/160A/A	NG 5/18E							1060				
AUE 11 - 65/200C/A	NG 5/16E	80	100	G 1 1/2	850	1000	550	1100	240	380	1525	1740
AUE 11 - 65/200B/A	NG 5/16E							1140				
AUE 11 - 65/200A/A	NG 6/18E							1140				
AUE 11 - 65/250C	NG 7/18E	80	100	G 1 1/2	850	1050	550	1275	240	410	1580	1795
AUE 11 - 65/250B	NG 7/16E							1375				
AUE 11 - 65/250A	NMD 25/190AE							1375				
AUE 11 - 80/160B/A	NG 5/18E	100	125	G 1 1/2	950	1000	550	1100	250	380	1640	1840
AUE 11 - 80/160A/A	NG 5/18E							1140				
AUE 11 - 80/200B	NG 6/18E	100	125	G 1 1/2	950	1000	550	1275	250	380	1675	1875
AUE 11 - 80/200A	NG 6/18E							1375				
AUE 11 - 80/250E	NG 6/18E	100	125	G 1 1/2	950	1050	550	1275	250	410	1725	1925
AUE 11 - 80/250D	NG 7/18E							1375		410	1725	1925
AUE 11 - 80/250C	NG 7/16E							1375		410	1725	1925
AUE 11 - 80/250B	NG 7/16E							1415		485	1800	2000
AUE 11 - 80/250A	NMD 25/190AE							1530		515	1830	2030
AUE 11 - 100/200E	NG 5/22E	125	150	G 1 1/2	1300	1200	700	1250	260	410	1805	1990
AUE 11 - 100/200D	NG 6/22E							1275		410	1805	1990
AUE 11 - 100/200C	NG 7/22E							1375		410	1805	1990
AUE 11 - 100/200B	NG 7/18E							1375		410	1805	1990
AUE 11 - 100/200A	NG 7/18E							1415		485	1880	2065
AUE 11 - 100/250B	NG 7/16E	125	150	G 1 1/2	1300	1200	700	1530	260	515	1910	2095
AUE 11 - 100/250A	NMD 25/190AE							1620		605	2000	2185

Dimensions



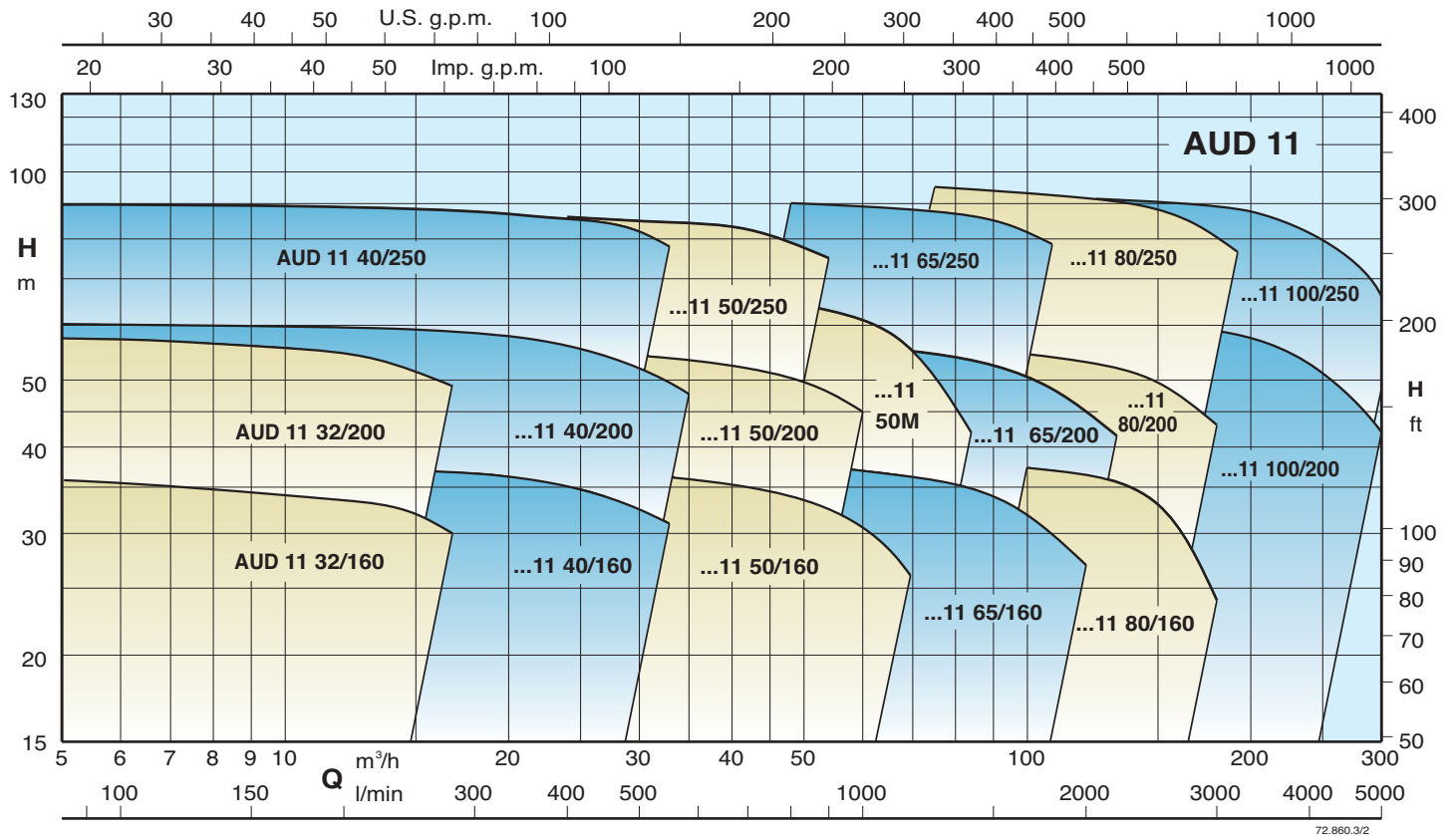
Unit designation		Connections			Dimensions mm							
Main pump	Jockey pump	DN 1	DN 2	DN 3	A	B	B1	C	D	E	F	G
AUE 21 - 32/160A/A	NG 5/18E	50	65	G 1 1/2	1200	1350	450	835	240	317	1160	1500
AUE 21 - 32/200C/A	NG 5/16E	50	65	G 1 1/2	1200	1350	450	855	240	345	1210	1500
AUE 21 - 32/200A/A	NG 6/18E							915		360		
AUE 21 - 40/160B/A	NG 5/18E	65	80	G 1 1/2	1200	1350	450	835	240	317	1295	1530
AUE 21 - 40/160A/A	NG 5/18E							855				
AUE 21 - 40/200C/A	NG 5/16E	65	80	G 1 1/2	1200	1350	450	855	240	360	1360	1600
AUE 21 - 40/200B/A	NG 6/18E							915				
AUE 21 - 40/200AR/A	NG 6/18E							915				
AUE 21 - 40/200A/A	NG 6/18E							915				
AUE 21 - 40/250C/A	NG 7/18E	65	80	G 1 1/2	1200	1550	450	955	240	380	1425	1660
AUE 21 - 40/250B/A	NG 7/16E							1060				
AUE 21 - 40/250A/A	NG 7/16E							1060				
AUE 21 - 50/160B/A	NG 5/18E							65				
AUE 21 - 50/160A/A	NG 5/18E	915										
AUE 21 - 50/200B/A	NG 5/16E	65	100	G 1 1/2	1400	1500	550	955	240	360	1415	1635
AUE 21 - 50/200A/A	NG 6/18E							1060				
AUE 21 - 50/250C/A	NG 6/18E	65	100	G 1 1/2	1400	1550	550	1060	240	380	1460	1700
AUE 21 - 50/250B/A	NG 7/16E							1060				
AUE 21 - 50/250A/A	NG 7/16E							1100				
AUE 21 - 50M/E/A	NG 6/18E							1060				
AUE 21 - 50M/D/A	NG 6/18E	65	100	G 1 1/2	1400	1550	550	1100	240	380	1460	1700
AUE 21 - 50M/C/A	NG 7/18E							1100				
AUE 21 - 65/160B/A	NG 5/18E	80	125	G 1 1/2	1500	1550	550	1060	240	360	1495	1700
AUE 21 - 65/160A/A	NG 5/18E							1060				
AUE 21 - 65/200C/A	NG 5/16E	80	125	G 1 1/2	1500	1550	550	1100	240	380	1540	1740
AUE 21 - 65/200B/A	NG 5/16E							1140				
AUE 21 - 65/200A/A	NG 6/18E							1140				
AUE 21 - 65/250C	NG 7/18E	80	125	G 1 1/2	1500	1550	550	1275	240	410	1595	1795
AUE 21 - 65/250B	NG 7/16E							1375				
AUE 21 - 65/250A	NMD 25/190AE							1375				
AUE 21 - 80/160B/A	NG 5/18E	100	150	G 1 1/2	1500	1550	550	1100	250	380	1655	1840
AUE 21 - 80/160A/A	NG 5/18E							1140				
AUE 21 - 80/200B	NG 6/18E	100	150	G 1 1/2	1500	1550	550	1275	250	380	1690	1875
AUE 21 - 80/200A	NG 6/18E							1375				
AUE 21 - 80/250E	NG 6/18E							1275				
AUE 21 - 80/250D	NG 7/18E	100	150	G 1 1/2	1500	1800	550	1375	250	410	1740	1925
AUE 21 - 80/250C	NG 7/16E							410				
AUE 21 - 80/250B	NG 7/16E							410				
AUE 21 - 80/250A	NMD 25/190AE							485				
								1815				
								2000				
		2030										
AUE 21 - 100/200E	NG 5/22E	125	200	G 1 1/2	1500	1800	550	1250	260	410	1830	1990
AUE 21 - 100/200D	NG 6/22E							1275				
AUE 21 - 100/200C	NG 7/22E							1375				
AUE 21 - 100/200B	NG 7/18E							1375				
AUE 21 - 100/200A	NG 7/18E							1415				
								1905				
AUE 21 - 100/250B	NG 7/16E	125	200	G 1 1/2	1500	1800	550	1530	260	515	1935	2095
AUE 21 - 100/250A	NMD 25/190AE							1620		665		

AUD - AUED

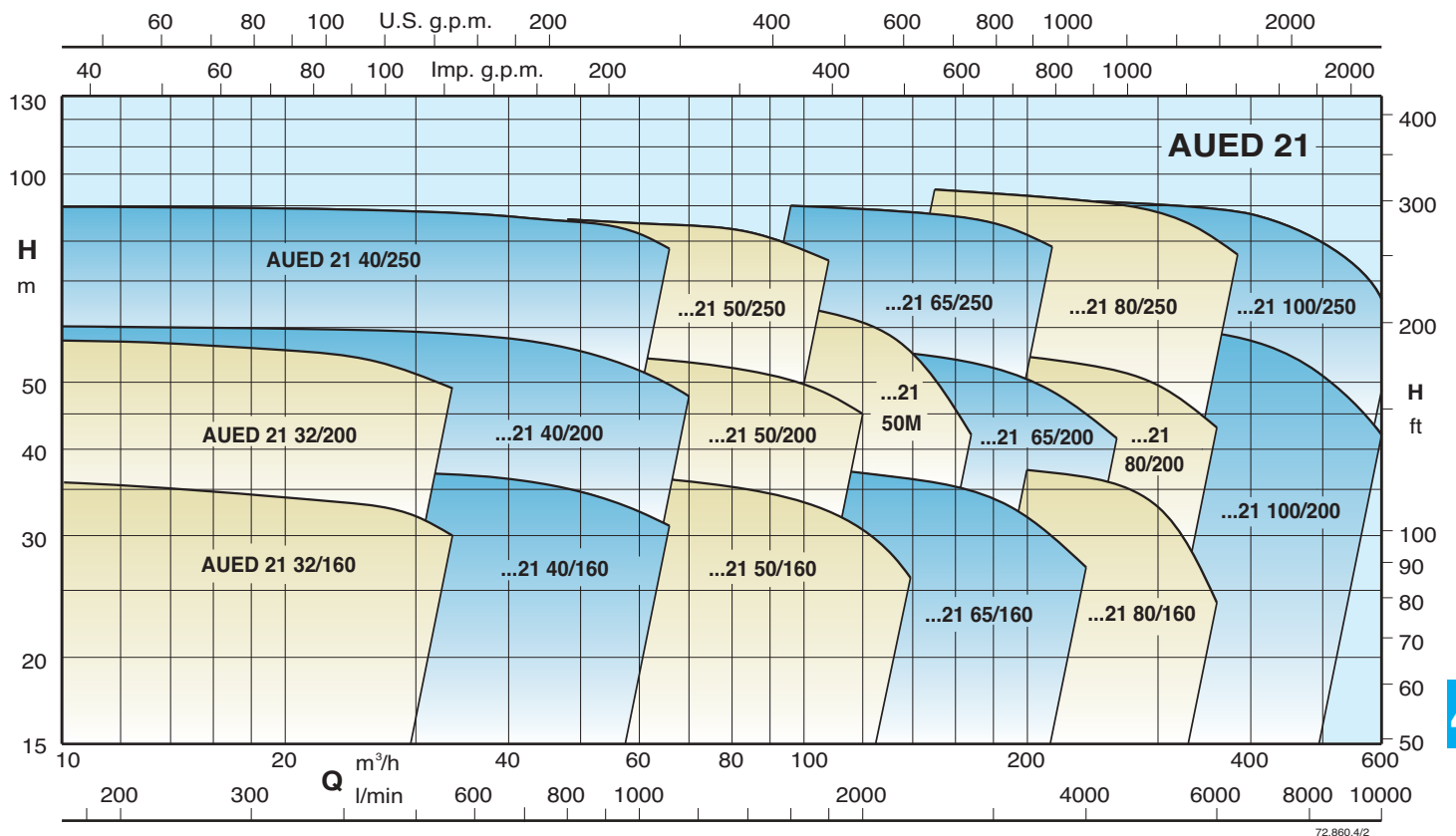
UNI-EN 12845 fire-fighting systems



With 1 pump (diesel motor)



With 2 pumps (electric and diesel motors)



Performance

Unit designation		Power kW	Average capacity pump		Max. capacity pump		Pressure switch settings	
Main pump	Jockey pump		m ³ /h	m	m ³ /h	m	Main pump bar	Jockey pump bar
AUD 11 - 32/160A/A	NG 5/18E	4,4 / 2900	12	34	16,8	30	2,7 ÷ 3,3	3 ÷ 3,6
AUD 11 - 32/200C/A	NG 5/16E	4,4 / 2900	12	41	16,8	36	3,6 ÷ 4,2	4 ÷ 4,7
AUD 11 - 32/200A/A	NG 6/18E	6,5 / 2900	12	54,5	16,8	49	4,7 ÷ 5,4	5 ÷ 5,7
AUD 11 - 40/160B/A	NG 5/18E	4,4 / 2900	22,5	29,5	30	25,5	2,3 ÷ 2,9	2,8 ÷ 3,5
AUD 11 - 40/160A/A	NG 5/18E	6,5 / 2900	24	35	33	31	2,8 ÷ 3,4	3,3 ÷ 4
AUD 11 - 40/200C/A	NG 5/16E	6,5 / 2900	21	41	27	36,5	3,4 ÷ 4	3,8 ÷ 4,4
AUD 11 - 40/200B/A	NG 6/18E	6,5 / 2900	24	48	33	40,5	4 ÷ 4,7	4,5 ÷ 5,5
AUD 11 - 40/200AR/A	NG 6/18E	7,3 / 2900	21	53	27	49	4,5 ÷ 5,2	5 ÷ 5,7
AUD 11 - 40/200A/A	NG 6/18E	10,2 / 2900	29	53	42	40	4,9 ÷ 5,5	5,3 ÷ 6
AUD 11 - 40/250C/A	NG 7/18E	10,2 / 2900	24	60	33	52	5,2 ÷ 5,8	5,5 ÷ 6,3
AUD 11 - 40/250B/A	NG 7/16E	17 / 2900	24	68	33	62	6,2 ÷ 6,8	6,5 ÷ 7,3
AUD 11 - 40/250A/A	NG 7/16E	24,3 / 2900	24	85	33	78	7,6 ÷ 8,2	8 ÷ 8,6
AUD 11 - 50/160B/A	NG 5/18E	6,5 / 2900	50	27	66	21	2,1 ÷ 2,7	2,5 ÷ 3,2
AUD 11 - 50/160A/A	NG 5/18E	10,2 / 2900	53	33	75	23	2,6 ÷ 3,2	3 ÷ 3,7
AUD 11 - 50/200B/A	NG 5/16E	10,2 / 2900	42	44,5	60	37	3,8 ÷ 4,4	4,2 ÷ 4,9
AUD 11 - 50/200A/A	NG 6/18E	17 / 2900	42	52	60	45	4,6 ÷ 5,2	5 ÷ 5,7
AUD 11 - 50/250C/A	NG 6/18E	17 / 2900	39	54	54	40	5 ÷ 5,6	5,4 ÷ 6
AUD 11 - 50/250B/A	NG 7/16E	24,3 / 2900	39	67	54	60	6 ÷ 6,6	6,4 ÷ 7,1
AUD 11 - 50/250A/A	NG 7/16E	24,3 / 2900	39	83	54	75	7,5 ÷ 8,2	7,8 ÷ 8,5
AUD 11 - 50M/E/A	NG 6/18E	17 / 2900	51	42	75	24	3,8 ÷ 4,4	4,2 ÷ 4,9
AUD 11 - 50M/D/A	NG 6/18E	17 / 2900	57	50	84	25	4,6 ÷ 5,3	5 ÷ 5,8
AUD 11 - 50M/C/A	NG 7/18E	24,3 / 2900	57	62	84	42	5,7 ÷ 6,4	6,2 ÷ 6,9
AUD 11 - 65/160B/A	NG 5/18E	17 / 2900	84	30	120	22	2,4 ÷ 3	2,8 ÷ 3,5
AUD 11 - 65/160A/A	NG 5/18E	24,3 / 2900	84	35	120	27	2,8 ÷ 3,4	3,2 ÷ 3,8
AUD 11 - 65/200C/A	NG 5/16E	24,3 / 2900	90	38,5	132	27	3,4 ÷ 4	3,8 ÷ 4,5
AUD 11 - 65/200B/A	NG 5/16E	24,3 / 2900	90	45,5	132	35	3,9 ÷ 4,5	4,3 ÷ 5
AUD 11 - 65/200A/A	NG 6/18E	32,5 / 2900	90	52	132	41,5	4,5 ÷ 5,2	5 ÷ 5,6
AUD 11 - 65/250C	NG 7/18E	32,5 / 2900	78	59	108	50	5,4 ÷ 6	5,8 ÷ 6,5
AUD 11 - 65/250B	NG 7/16E	48 / 2900	78	76	108	67	7 ÷ 7,6	7,4 ÷ 8
AUD 11 - 65/250A	NMD 25/190AE	48 / 2900	78	87	108	78	7,8 ÷ 8,5	8,3 ÷ 9
AUD 11 - 80/160B/A	NG 5/18E	17 / 2900	128	31	180	18	2,4 ÷ 3	2,8 ÷ 3,5
AUD 11 - 80/160A/A	NG 5/18E	24,3 / 2900	128	36	180	24	2,8 ÷ 3,4	3,3 ÷ 3,9
AUD 11 - 80/200B	NG 6/18E	24,3 / 2900	128	42	180	32	3,5 ÷ 4,2	4 ÷ 4,7
AUD 11 - 80/200A	NG 6/18E	32,5 / 2900	128	52	180	43	4,5 ÷ 5,2	5 ÷ 5,7
AUD 11 - 80/250E	NG 6/18E	24,3 / 2900	128	43	180	29	4,1 ÷ 4,7	4,5 ÷ 5,1
AUD 11 - 80/250D	NG 7/18E	32,5 / 2900	134	60	192	41	5,5 ÷ 6,1	5,9 ÷ 6,5
AUD 11 - 80/250C	NG 7/16E	48 / 2900	134	67	192	51	6,3 ÷ 6,9	6,8 ÷ 7,4
AUD 11 - 80/250B	NG 7/16E	66 / 2900	134	78	192	63	7,2 ÷ 7,9	7,8 ÷ 8,4
AUD 11 - 80/250A	NMD 25/190AE	66 / 2900	134	90	192	76	8,3 ÷ 9	8,8 ÷ 9,4
AUD 11 - 100/200E	NG 5/22E	24,3 / 2900	174	26	240	19	2 ÷ 2,6	2,4 ÷ 3
AUD 11 - 100/200D	NG 6/22E	24,3 / 2900	189	31	270	19	2,5 ÷ 3,2	3 ÷ 3,7
AUD 11 - 100/200C	NG 7/22E	32,5 / 2900	204	39	300	22	3,5 ÷ 4,1	3,9 ÷ 4,6
AUD 11 - 100/200B	NG 7/18E	48 / 2900	204	48	300	32	4,4 ÷ 5	4,8 ÷ 5,5
AUD 11 - 100/200A	NG 7/18E	66 / 2900	204	57	300	42	4,8 ÷ 5,5	5,4 ÷ 6
AUD 11 - 100/250B	NG 7/16E	66 / 2900	204	65	300	48	6 ÷ 6,8	6,6 ÷ 7,3
AUD 11 - 100/250A	NMD 25/190AE	99 / 2900	204	85	300	67	7,8 ÷ 8,5	8,2 ÷ 9

Jockey pump	kW	Diesel motors	kW*	* Continuous rating overloading capacity, NA curve.
NG 5/16E	1,1	RY75/15LD350	4,4	
NG 5/18E	1,1	RY110/15LD440	6,5	
NG 5/22E	1,1	RY125/15LD500	7,3	
NG 6/18E	1,5	MD190/25LD425-2	10,2	
NG 6/22E	1,5	RD290/9LD625-2	17	
NG 7/16E	2,2	SP420/11LD626-3	24,3	
NG 7/18E	2,2	D703E0	32,5	
NMD 25/190AE	4	D703TE0	48	
		D725TPE2	66	
		D756IPE2	99	

Performance

Unit designation	Jockey pump	Motors power		Average capacity of one pump		Max. capacity of one pump		Pressure switch settings		
		Electric	diesel	m ³ /h	m	m ³ /h	m	Pump 1 bar	Pump 2 bar	Jockey pump bar
AUED 21 - 32/160A/A - 32/160A/A	NG 5/18E	3	4,4 / 2900	12	34	16,8	30	2,7 ÷ 3,3	2,3 ÷ 2,9	3 ÷ 3,6
AUED 21 - 32/200C/A - 32/200C/A	NG 5/16E	4	4,4 / 2900	12	41	16,8	36	3,6 ÷ 4,2	3,2 ÷ 3,8	4 ÷ 4,7
AUED 21 - 32/200A/A - 32/200A/A	NG 6/18E	5,5	6,5 / 2900	12	54,5	16,8	49	4,7 ÷ 5,4	4,3 ÷ 5	5 ÷ 5,7
AUED 21 - 40/160B/A - 40/160B/A	NG 5/18E	4	4,4 / 2900	22,5	29,5	30	25,5	2,3 ÷ 2,9	1,9 ÷ 2,5	2,8 ÷ 3,5
AUED 21 - 40/160A/A - 40/160A/A	NG 5/18E	5,5	6,5 / 2900	24	35	33	31	2,8 ÷ 3,4	2,4 ÷ 3	3,3 ÷ 4
AUED 21 - 40/200C/A - 40/200C/A	NG 5/16E	5,5	6,5 / 2900	21	41	27	36,5	3,4 ÷ 4	3 ÷ 3,6	3,8 ÷ 4,4
AUED 21 - 40/200B/A - 40/200B/A	NG 6/18E	7,5	6,5 / 2900	24	48	33	40,5	4 ÷ 4,7	3,6 ÷ 4,3	4,5 ÷ 5,5
AUED 21 - 40/200AR/A - 40/200AR/A	NG 6/18E	7,5	7,3 / 2900	21	53	27	49	4,5 ÷ 5,2	4,1 ÷ 4,8	5 ÷ 5,7
AUED 21 - 40/200A/A - 40/200A/A	NG 6/18E	9,2	10,2 / 2900	29	53	42	40	4,9 ÷ 5,5	4,5 ÷ 5,1	5,3 ÷ 6
AUED 21 - 40/250C/A - 40/250C/A	NG 7/18E	11	10,2 / 2900	24	60	33	52	5,2 ÷ 5,8	4,8 ÷ 5,4	5,5 ÷ 6,3
AUED 21 - 40/250B/A - 40/250B/A	NG 7/16E	15	17 / 2900	24	68	33	62	6,2 ÷ 6,8	5,8 ÷ 6,4	6,5 ÷ 7,3
AUED 21 - 40/250A/A - 40/250A/A	NG 7/16E	18,5	24,3 / 2900	24	85	33	78	7,6 ÷ 8,2	7,2 ÷ 7,8	8 ÷ 8,6
AUED 21 - 50/160B/A - 50/160B/A	NG 5/18E	5,5	6,5 / 2900	50	27	66	21	2,1 ÷ 2,7	1,7 ÷ 2,3	2,5 ÷ 3,2
AUED 21 - 50/160A/A - 50/160A/A	NG 5/18E	9,2	10,2 / 2900	53	33	75	23	2,6 ÷ 3,2	2,2 ÷ 2,8	3 ÷ 3,7
AUED 21 - 50/200B/A - 50/200B/A	NG 5/16E	11	10,2 / 2900	42	44,5	60	37	3,8 ÷ 4,4	3,4 ÷ 4	4,2 ÷ 4,9
AUED 21 - 50/200A/A - 50/200A/A	NG 6/18E	15	17 / 2900	42	52	60	45	4,6 ÷ 5,2	4,2 ÷ 4,8	5 ÷ 5,7
AUED 21 - 50/250C/A - 50/250C/A	NG 6/18E	15	17 / 2900	39	54	54	40	5 ÷ 5,6	4,6 ÷ 5,2	5,4 ÷ 6
AUED 21 - 50/250B/A - 50/250B/A	NG 7/16E	18,5	24,3 / 2900	39	67	54	60	6 ÷ 6,6	5,6 ÷ 6,2	6,4 ÷ 7,1
AUED 21 - 50/250A/A - 50/250A/A	NG 7/16E	22	24,3 / 2900	39	83	54	75	7,5 ÷ 8,2	7,1 ÷ 7,8	7,8 ÷ 8,5
AUED 21 - 50M/E/A - 50M/E/A	NG 6/18E	15	17 / 2900	51	42	75	24	3,8 ÷ 4,4	3,4 ÷ 4	4,2 ÷ 4,9
AUED 21 - 50M/D/A - 50M/D/A	NG 6/18E	18,5	17 / 2900	57	50	84	25	4,6 ÷ 5,3	4,2 ÷ 4,9	5 ÷ 5,8
AUED 21 - 50M/C/A - 50M/C/A	NG 7/18E	22	24,3 / 2900	57	62	84	42	5,7 ÷ 6,4	5,3 ÷ 6	6,2 ÷ 6,9
AUED 21 - 65/160B/A - 65/160B/A	NG 5/18E	15	17 / 2900	84	30	120	22	2,4 ÷ 3	2 ÷ 2,6	2,8 ÷ 3,5
AUED 21 - 65/160A/A - 65/160A/A	NG 5/18E	18,5	24,3 / 2900	84	35	120	27	2,8 ÷ 3,4	2,4 ÷ 3	3,2 ÷ 3,8
AUED 21 - 65/200C/A - 65/200C/A	NG 5/16E	18,5	24,3 / 2900	90	38,5	132	27	3,4 ÷ 4	3 ÷ 3,6	3,8 ÷ 4,5
AUED 21 - 65/200B/A - 65/200B/A	NG 5/16E	22	24,3 / 2900	90	45,5	132	35	3,9 ÷ 4,5	3,5 ÷ 4,1	4,3 ÷ 5
AUED 21 - 65/200A/A - 65/200A/A	NG 6/18E	30	32,5 / 2900	90	52	132	41,5	4,5 ÷ 5,2	4,1 ÷ 4,8	5 ÷ 5,6
AUED 21 - 65/250C - 65/250C	NG 7/18E	30	32,5 / 2900	78	59	108	50	5,4 ÷ 6	5 ÷ 5,6	5,8 ÷ 6,5
AUED 21 - 65/250B - 65/250B	NG 7/16E	37	48 / 2900	78	76	108	67	7 ÷ 7,6	6,6 ÷ 7,2	7,4 ÷ 8
AUED 21 - 65/250A - 65/250A	NMD 25/190AE	45	48 / 2900	78	87	108	78	7,8 ÷ 8,5	7,4 ÷ 8,1	8,3 ÷ 9
AUED 21 - 80/160B/A - 80/160B/A	NG 5/18E	18,5	17 / 2900	128	31	180	18	2,4 ÷ 3	2 ÷ 2,6	2,8 ÷ 3,5
AUED 21 - 80/160A/A - 80/160A/A	NG 5/18E	22	24,3 / 2900	128	36	180	24	2,8 ÷ 3,4	2,4 ÷ 3	3,3 ÷ 3,9
AUED 21 - 80/200B - 80/200B	NG 6/18E	30	24,3 / 2900	128	42	180	32	3,5 ÷ 4,2	3,1 ÷ 3,8	4 ÷ 4,7
AUED 21 - 80/200A - 80/200A	NG 6/18E	37	32,5 / 2900	128	52	180	43	4,5 ÷ 5,2	4,1 ÷ 4,8	5 ÷ 5,7
AUED 21 - 80/250E - 80/250E	NG 6/18E	30	24,3 / 2900	128	43	180	29	4,1 ÷ 4,7	3,7 ÷ 4,3	4,5 ÷ 5,1
AUED 21 - 80/250D - 80/250D	NG 7/18E	37	32,5 / 2900	134	56	192	41	5,5 ÷ 6,1	5,1 ÷ 5,7	5,9 ÷ 6,5
AUED 21 - 80/250C - 80/250C	NG 7/16E	45	48 / 2900	134	67	192	51	6,3 ÷ 6,9	5,9 ÷ 6,5	6,8 ÷ 7,4
AUED 21 - 80/250B - 80/250B	NG 7/16E	55	66 / 2900	134	78	192	63	7,2 ÷ 7,9	6,8 ÷ 7,5	7,8 ÷ 8,4
AUED 21 - 80/250A - 80/250A	NMD 25/190AE	75	66 / 2900	134	90	192	76	8,3 ÷ 9	7,9 ÷ 8,6	8,8 ÷ 9,4
AUED 21 - 100/200E - 100/200E	NG 5/22E	22	24,3 / 2900	174	26	240	19	2 ÷ 2,6	1,6 ÷ 2,2	2,4 ÷ 3
AUED 21 - 100/200D - 100/200D	NG 6/22E	30	24,3 / 2900	189	31	270	19	2,5 ÷ 3,2	2,1 ÷ 2,8	3 ÷ 3,7
AUED 21 - 100/200C - 100/200C	NG 7/22E	37	32,5 / 2900	204	39	300	22	3,5 ÷ 4,1	3,1 ÷ 3,7	3,9 ÷ 4,6
AUED 21 - 100/200B - 100/200B	NG 7/18E	45	48 / 2600	204	48	300	32	4,4 ÷ 5	4 ÷ 4,6	4,8 ÷ 5,5
AUED 21 - 100/200A - 100/200A	NG 7/18E	55	66 / 2900	204	57	300	42	4,8 ÷ 5,5	4,4 ÷ 5,1	5,4 ÷ 6
AUED 21 - 100/250B - 100/250B	NG 7/16E	75	66 / 2900	204	65	300	48	6 ÷ 6,8	5,6 ÷ 6,4	6,6 ÷ 7,3
AUED 21 - 100/250A - 100/250A	NMD 25/190AE	92	99 / 2900	204	85	300	67	7,8 ÷ 8,5	7,4 ÷ 8,1	8,2 ÷ 9

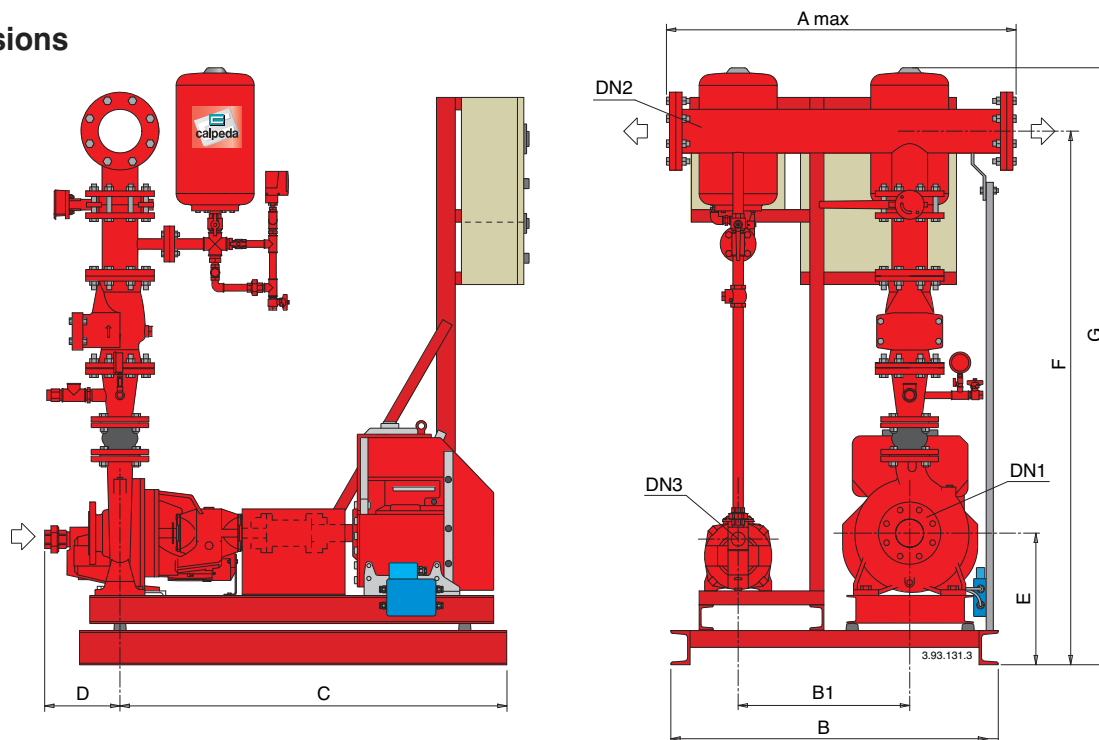
Jockey pump	kW	Diesel motors	kW*	* Continuous rating overloading capacity, NA curve.
NG 5/16E	1,1	RY75/15LD350	4,4	
NG 5/18E	1,1	RY110/15LD440	6,5	
NG 5/22E	1,1	RY125/15LD500	7,3	
NG 6/18E	1,5	MD190/25LD425-2	10,2	
NG 6/22E	1,5	RD290/9LD625-2	17	
NG 7/16E	2,2	SP420/11LD626-3	24,3	
NG 7/18E	2,2	D703E0	32,5	
NMD 25/190AE	4	D703TE0	48	
		D725TPE2	66	
		D756IPE2	99	

AUD 11

UNI-EN 12845 units with 1 main pump (diesel motor)



Dimensions



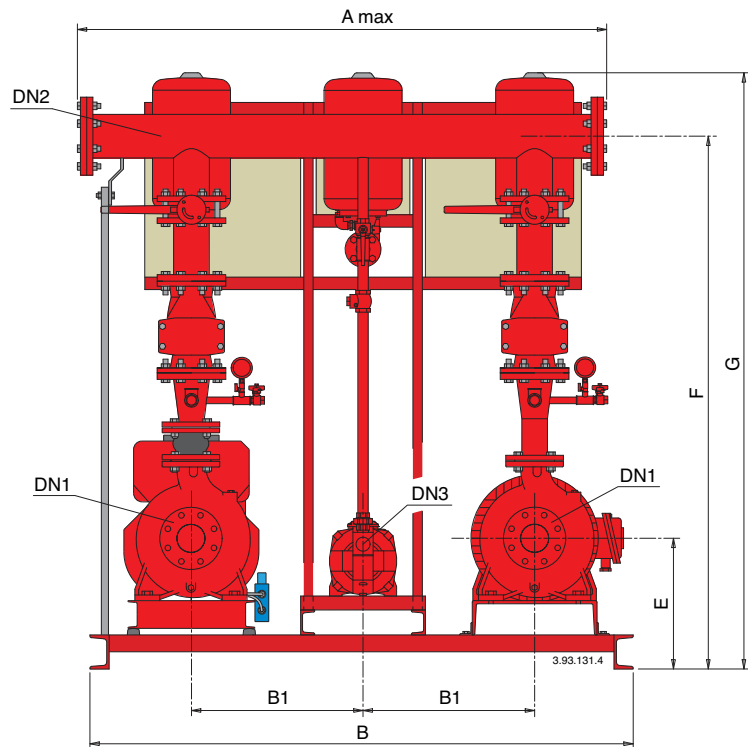
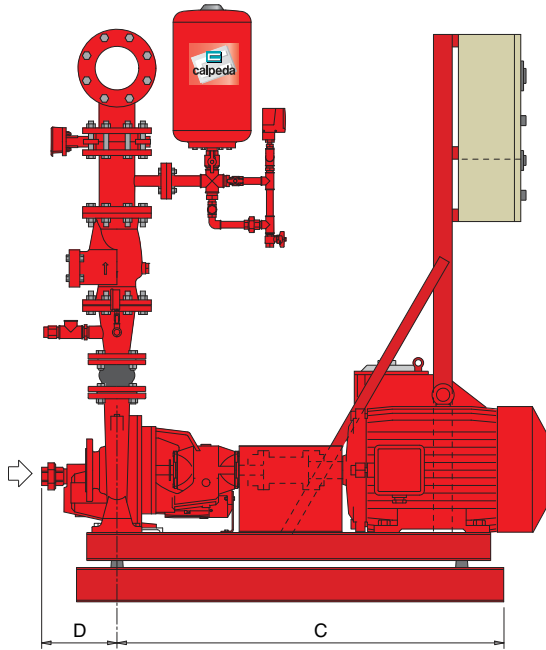
Unit designation		Connections			Dimensions mm									
Main pump	Jockey pump	DN 1	DN 2	DN 3	A	B	B1	C	D	E	F	G		
AUD 11 - 32/160A/A	NG 5/18E	50	G2	G 1 1/2	1150	1000	500	900	240	532	1470	1695		
AUD 11 - 32/200C/A	NG 5/16E	50	G2	G 1 1/2	1150	1000	500	950	240	560	1520	1745		
AUD 11 - 32/200A/A	NG 6/18E									570	1680	1920		
AUD 11 - 40/160B/A	NG 5/18E	65	65	G 1 1/2	1200	1000	500	950	240	532	1620	1860		
AUD 11 - 40/160A/A	NG 5/18E									570	1680	1920		
AUD 11 - 40/200C/A	NG 5/16E	65	65	G 1 1/2	1200	1050	500	1000	240	560	1670	1910		
AUD 11 - 40/200B/A	NG 6/18E									560	1670	1910		
AUD 11 - 40/200AR/A	NG 6/18E									570	1680	1920		
AUD 11 - 40/200A/A	NG 6/18E									570	1680	1920		
AUD 11 - 40/250C/A	NG 7/18E									590	1745	1985		
AUD 11 - 40/250B/A	NG 7/16E									605	1760	2000		
AUD 11 - 40/250A/A	NG 7/16E	605	1760	2000										
AUD 11 - 50/160B/A	NG 5/18E	65	80	G 1 1/2	1250	1050	550	1000	240	570	1720	1955		
AUD 11 - 50/160A/A	NG 5/18E									570	1720	1955		
AUD 11 - 50/200B/A	NG 5/16E	65	80	G 1 1/2	1250	1050	550	1200	240	570	1740	1975		
AUD 11 - 50/200A/A	NG 6/18E									585	1755	1990		
AUD 11 - 50/250C/A	NG 6/18E	65	80	G 1 1/2	1250	1050	550	1200	240	605	1800	2035		
AUD 11 - 50/250B/A	NG 7/16E									605	1800	2035		
AUD 11 - 50/250A/A	NG 7/16E									625	1820	2055		
AUD 11 - 50M/E/A	NG 6/18E									1200	240	605	1805	2040
AUD 11 - 50M/D/A	NG 6/18E									1200	240	605	1805	2040
AUD 11 - 50M/C/A	NG 7/18E									1400	240	625	1825	2060
AUD 11 - 65/160B/A	NG 5/18E	80	100	G 1 1/2	1300	1200	550	1200	240	585	1840	2055		
AUD 11 - 65/160A/A	NG 5/18E									585	1840	2055		
AUD 11 - 65/200C/A	NG 5/16E	80	100	G 1 1/2	1300	1200	550	1400	240	605	1885	2100		
AUD 11 - 65/200B/A	NG 5/16E									625	1905	2120		
AUD 11 - 65/200A/A	NG 6/18E									625	1905	2120		
AUD 11 - 65/250C	NG 7/18E	80	100	G 1 1/2	1300	1200	550	1500	240	645	1950	2165		
AUD 11 - 65/250B	NG 7/16E									665	1970	2185		
AUD 11 - 65/250A	NMD 25/190AE									665	1970	2185		
AUD 11 - 80/160B/A	NG 5/18E	100	125	G 1 1/2	1300	1200	550	1500	250	605	2035	2235		
AUD 11 - 80/160A/A	NG 5/18E									625	2055	2255		
AUD 11 - 80/200B	NG 6/18E	100	125	G 1 1/2	1300	1200	550	1700	250	645	2110	2310		
AUD 11 - 80/200A	NG 6/18E					1250				665	2130	2330		
AUD 11 - 80/250E	NG 6/18E					1200				645	2130	2330		
AUD 11 - 80/250D	NG 7/18E	100	125	G 1 1/2	1300	1250	550	1750	250	665	2150	2350		
AUD 11 - 80/250C	NG 7/16E					1250				665	2150	2350		
AUD 11 - 80/250B	NG 7/16E					1350				665	2150	2350		
AUD 11 - 80/250A	NMD 25/190AE					1250				665	2150	2350		
AUD 11 - 100/200E	NG 5/22E					1250				645	2220	2405		
AUD 11 - 100/200D	NG 6/22E	125	150	G 1 1/2	1500	1250	700	1750	260	645	2220	2405		
AUD 11 - 100/200C	NG 7/22E					1250				665	2240	2425		
AUD 11 - 100/200B	NG 7/18E	1250	665	2240	2425									
AUD 11 - 100/200A	NG 7/18E	1300	665	2240	2425									
AUD 11 - 100/250B	NG 7/16E	125	150	G 1 1/2	1500	1250	700	1750	260	690	2265	2450		
AUD 11 - 100/250A	NMD 25/190AE					1350				735	2310	2495		

AUED 21

UNI-EN 12845 units with 2 main pumps (electric and diesel motor)



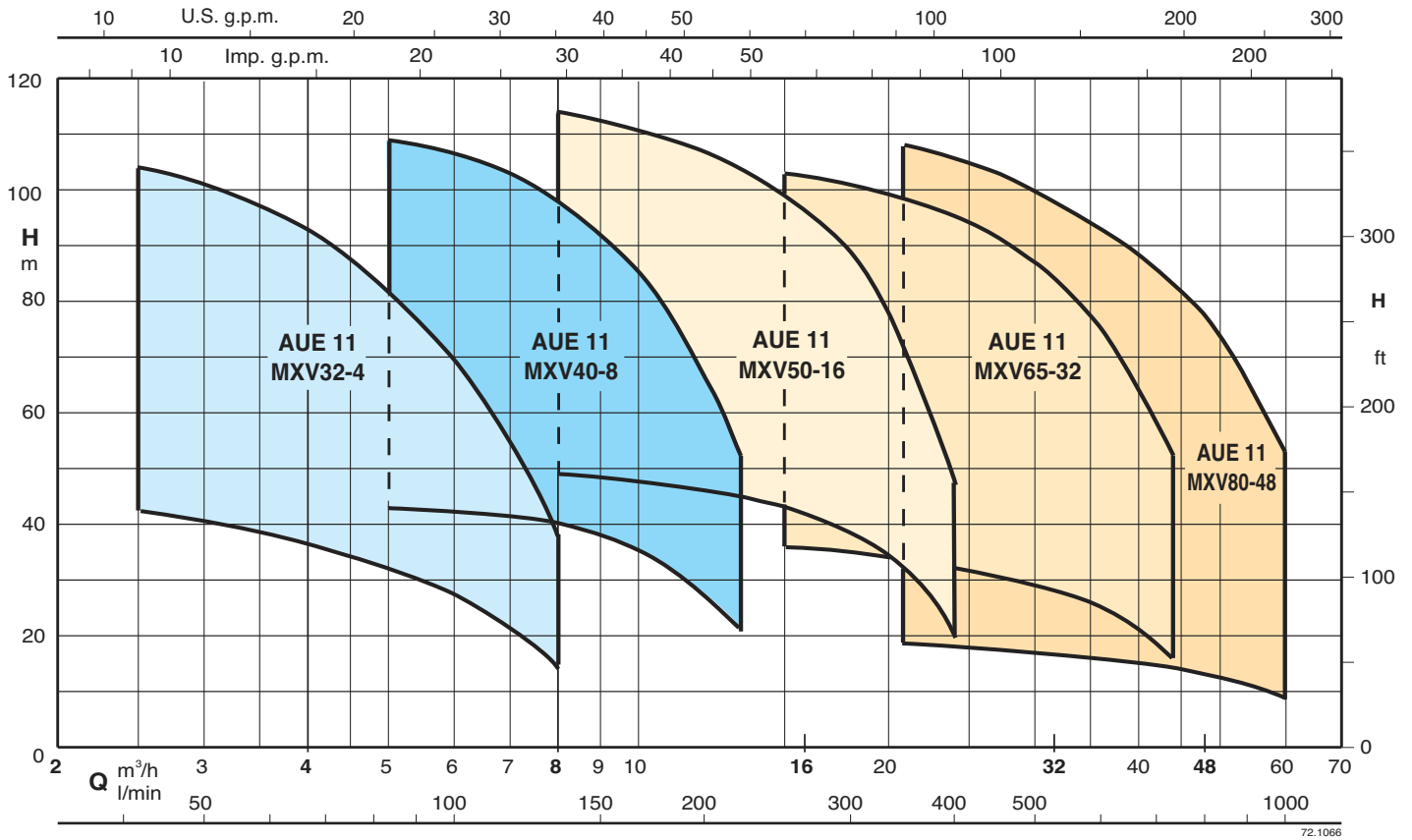
Dimensions



Unit designation				Connections			Dimensions mm							
Main pump	Electric	Diesel	Jockey pump	DN 1	DN 2	DN 3	A	B	B1	C	D	E	F	G
AUED 21 - 32/160A/A	-	32/160A/A	NG 5/18E	50	65	G 1 1/2	1450	1400	450	900	240	532	1480	1695
AUED 21 - 32/200C/A	-	32/200C/A	NG 5/16E	50	65	G 1 1/2	1450	1400	450	950	240	560	1530	1745
AUED 21 - 32/200A/A	-	32/200A/A	NG 6/18E	50	65	G 1 1/2	1450	1400	450	950	240	560	1530	1745
AUED 21 - 40/160B/A	-	40/160B/A	NG 5/18E	65	80	G 1 1/2	1500	1400	450	950	240	532	1625	1860
AUED 21 - 40/160A/A	-	40/160A/A	NG 5/18E	65	80	G 1 1/2	1500	1450	450	950	240	532	1625	1860
AUED 21 - 40/200C/A	-	40/200C/A	NG 5/16E	65	80	G 1 1/2	1500	1450	450	1000	240	560	1675	1910
AUED 21 - 40/200B/A	-	40/200B/A	NG 6/18E	65	80	G 1 1/2	1500	1450	450	1000	240	560	1675	1910
AUED 21 - 40/200AR/A	-	40/200AR/A	NG 6/18E	65	80	G 1 1/2	1500	1450	450	1000	240	570	1685	1920
AUED 21 - 40/200A/A	-	40/200A/A	NG 6/18E	65	80	G 1 1/2	1500	1450	450	1000	240	570	1685	1920
AUED 21 - 40/250C/A	-	40/250C/A	NG 7/18E	65	80	G 1 1/2	1500	1450	450	1200	240	590	1750	1985
AUED 21 - 40/250B/A	-	40/250B/A	NG 7/16E	65	80	G 1 1/2	1500	1450	450	1200	240	605	1765	2000
AUED 21 - 40/250A/A	-	40/250A/A	NG 7/16E	65	80	G 1 1/2	1500	1450	450	1200	240	605	1765	2000
AUED 21 - 50/160B/A	-	50/160B/A	NG 5/18E	65	100	G 1 1/2	1700	1600	550	1000	240	570	1745	1955
AUED 21 - 50/160A/A	-	50/160A/A	NG 5/18E	65	100	G 1 1/2	1700	1600	550	1000	240	570	1745	1955
AUED 21 - 50/200B/A	-	50/200B/A	NG 5/16E	65	100	G 1 1/2	1700	1600	550	1200	240	570	1755	1975
AUED 21 - 50/200A/A	-	50/200A/A	NG 6/18E	65	100	G 1 1/2	1700	1600	550	1200	240	585	1770	1990
AUED 21 - 50/250C/A	-	50/250C/A	NG 6/18E	65	100	G 1 1/2	1700	1600	550	1200	240	605	1815	2035
AUED 21 - 50/250B/A	-	50/250B/A	NG 7/16E	65	100	G 1 1/2	1700	1600	550	1200	240	605	1815	2035
AUED 21 - 50/250A/A	-	50/250A/A	NG 7/16E	65	100	G 1 1/2	1700	1600	550	1400	240	625	1835	2055
AUED 21 - 50M/E/A	-	50M/E/A	NG 6/18E	65	100	G 1 1/2	1700	1600	550	1200	240	605	1820	2040
AUED 21 - 50M/D/A	-	50M/D/A	NG 6/18E	65	100	G 1 1/2	1700	1600	550	1200	240	605	1820	2040
AUED 21 - 50M/C/A	-	50M/C/A	NG 7/18E	65	100	G 1 1/2	1700	1600	550	1400	240	625	1830	2060
AUED 21 - 65/160B/A	-	65/160B/A	NG 5/18E	80	125	G 1 1/2	1800	1750	550	1200	240	585	1855	2055
AUED 21 - 65/160A/A	-	65/160A/A	NG 5/18E	80	125	G 1 1/2	1800	1750	550	1200	240	585	1855	2055
AUED 21 - 65/200C/A	-	65/200C/A	NG 5/16E	80	125	G 1 1/2	1800	1750	550	1400	240	605	1900	2100
AUED 21 - 65/200B/A	-	65/200B/A	NG 5/16E	80	125	G 1 1/2	1800	1750	550	1400	240	625	1920	2120
AUED 21 - 65/200A/A	-	65/200A/A	NG 6/18E	80	125	G 1 1/2	1800	1750	550	1400	240	625	1920	2120
AUED 21 - 65/250C	-	65/250C	NG 7/18E	80	125	G 1 1/2	1800	1750	550	1500	240	645	1965	2165
AUED 21 - 65/250B	-	65/250B	NG 7/16E	80	125	G 1 1/2	1800	1750	550	1750	240	665	1985	2185
AUED 21 - 65/250A	-	65/250A	NMD 25/190AE	80	125	G 1 1/2	1800	1750	550	1750	240	665	1985	2185
AUED 21 - 80/160B/A	-	80/160B/A	NG 5/18E	100	150	G 1 1/2	1800	1750	550	1500	250	605	2050	2235
AUED 21 - 80/160A/A	-	80/160A/A	NG 5/18E	100	150	G 1 1/2	1800	1750	550	1500	250	625	2070	2255
AUED 21 - 80/200B	-	80/200B	NG 6/18E	100	150	G 1 1/2	1800	1800	550	1700	250	645	2125	2310
AUED 21 - 80/200A	-	80/200A	NG 6/18E	100	150	G 1 1/2	1800	1800	550	1700	250	665	2145	2330
AUED 21 - 80/250E	-	80/250E	NG 6/18E	100	150	G 1 1/2	1800	1800	550	1500	250	645	2145	2330
AUED 21 - 80/250D	-	80/250D	NG 7/18E	100	150	G 1 1/2	1800	1800	550	1750	250	665	2165	2350
AUED 21 - 80/250C	-	80/250C	NG 7/16E	100	150	G 1 1/2	1800	1800	550	1750	250	665	2165	2350
AUED 21 - 80/250B	-	80/250B	NG 7/16E	100	150	G 1 1/2	1800	1900	550	1750	250	665	2165	2350
AUED 21 - 80/250A	-	80/250A	NMD 25/190AE	100	150	G 1 1/2	1800	1800	550	1750	250	665	2165	2350
AUED 21 - 100/200E	-	100/200E	NG 5/22E	125	200	G 1 1/2	2150	1850	700	1500	260	645	2245	2405
AUED 21 - 100/200D	-	100/200D	NG 6/22E	125	200	G 1 1/2	2150	1850	700	1500	260	645	2245	2405
AUED 21 - 100/200C	-	100/200C	NG 7/22E	125	200	G 1 1/2	2150	1850	700	1700	260	665	2265	2425
AUED 21 - 100/200B	-	100/200B	NG 7/18E	125	200	G 1 1/2	2150	1850	700	1700	260	665	2265	2425
AUED 21 - 100/200A	-	100/200A	NG 7/18E	125	200	G 1 1/2	2150	1850	700	1700	260	665	2265	2425
AUED 21 - 100/250B	-	100/250B	NG 7/16E	125	200	G 1 1/2	2150	2200	700	1750	260	690	2290	2450
AUED 21 - 100/250A	-	100/250A	NMD 25/190AE	125	200	G 1 1/2	2150	2200	700	1900	260	735	2335	2495

AUE 11 MXV

UNI-EN 12845 units with 1 multi-stage vertical electric main pump

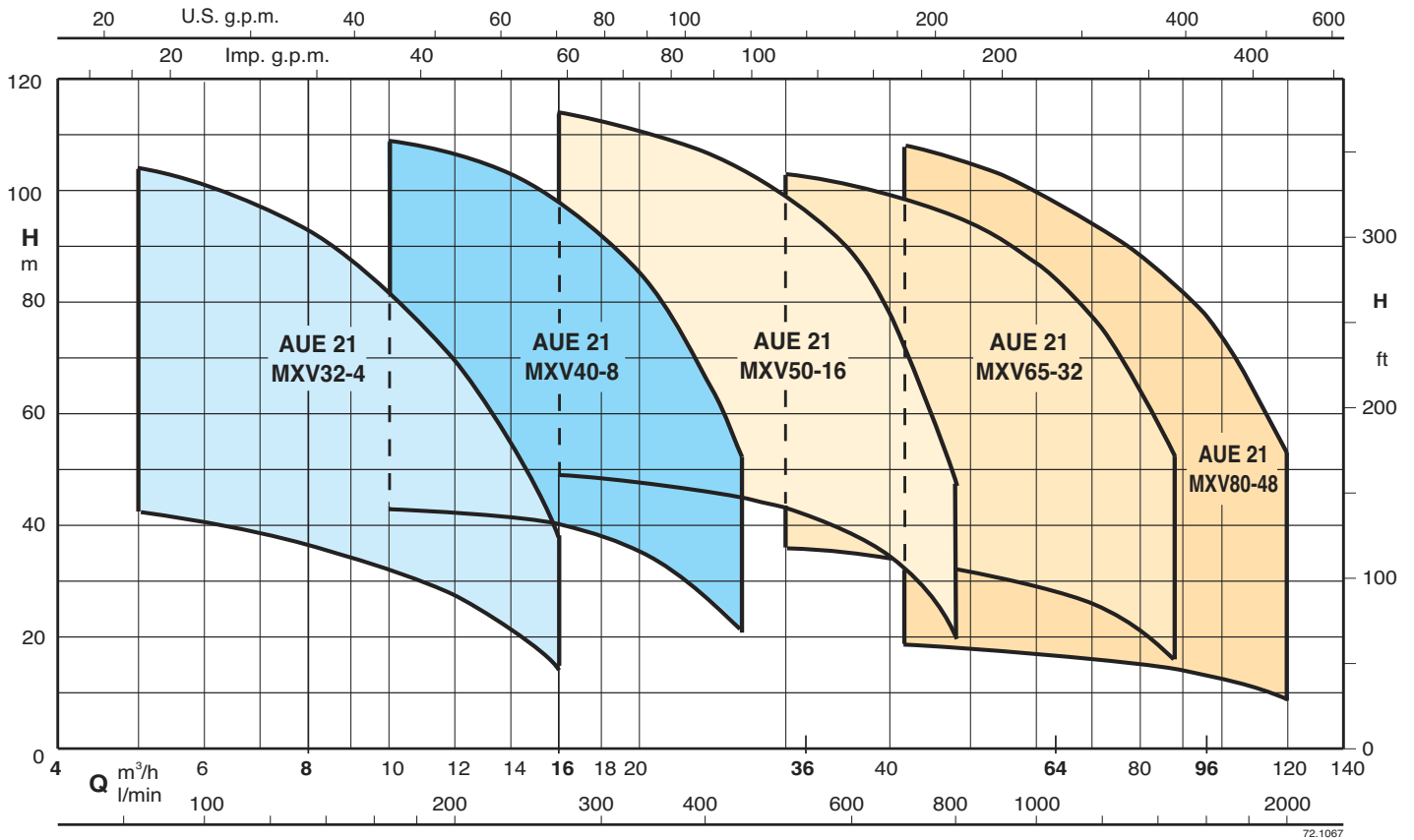


Performance

Unit designation		Power kW	Average capacity pump		Max. capacity pump		Pressure switch settings	
Main pump	Jockey pump		m³/h	m	m³/h	m	Main pump bar	Jockey pump bar
AUE 11 - MXV 32-404	MXV 25-205	1,1 + 0,75	5	32	8	14	3,4 ÷ 4,0	3,7 ÷ 4,3
AUE 11 - MXV 32-405	MXV 25-206	1,1 + 1,1	5	41	8	18	4,5 ÷ 5,1	4,8 ÷ 5,4
AUE 11 - MXV 32-406	MXV 25-206	1,5 + 1,1	5	49	8	22	5,4 ÷ 6,0	5,7 ÷ 6,3
AUE 11 - MXV 32-407	MXV 25-207	1,5 + 1,1	5	58	8	26	6,4 ÷ 7,0	6,7 ÷ 7,3
AUE 11 - MXV 32-408	MXV 25-208	2,2 + 1,5	5	66	8	30	7,4 ÷ 8,0	7,7 ÷ 8,3
AUE 11 - MXV 32-410	MXV 25-210	2,2 + 1,5	5	83	8	38	9,0 ÷ 9,6	9,4 ÷ 10
AUE 11 - MXV 40-804	MXV 25-205	1,5 + 0,75	9	37	13	21	3,7 ÷ 4,3	4,0 ÷ 4,6
AUE 11 - MXV 40-805	MXV 25-206	2,2 + 1,1	9	47	13	26	4,8 ÷ 5,4	5,1 ÷ 5,7
AUE 11 - MXV 40-806	MXV 25-207	2,2 + 1,1	9	56	13	31	5,8 ÷ 6,4	6,1 ÷ 6,7
AUE 11 - MXV 40-807	MXV 25-208	3 + 1,5	9	66	13	36	6,8 ÷ 7,4	7,1 ÷ 7,7
AUE 11 - MXV 40-808	MXV 25-210	3 + 1,5	9	75	13	42	7,5 ÷ 8,1	7,8 ÷ 8,4
AUE 11 - MXV 40-810	MXV 25-210	4 + 1,5	9	94	13	52	9,0 ÷ 9,6	9,4 ÷ 10
AUE 11 - MXV 50-1603	MXV 25-205	3 + 0,75	16	41	24	20	4,0 ÷ 4,6	4,4 ÷ 5,0
AUE 11 - MXV 50-1604	MXV 25-207	4 + 1,1	16	55	24	27	5,5 ÷ 6,1	5,9 ÷ 6,5
AUE 11 - MXV 50-1605	MXV 25-208	5,5 + 1,5	16	69	24	33	7,0 ÷ 7,6	7,4 ÷ 8,0
AUE 11 - MXV 50-1606	MXV 25-210	5,5 + 1,5	16	83	24	40	8,5 ÷ 9,1	8,9 ÷ 9,5
AUE 11 - MXV 50-1607	MXV 25-212	7,5 + 2,2	16	97	24	47	9,0 ÷ 9,6	9,4 ÷ 10
AUE 11 - MXV 65-3202	MXV 25-204	4 + 0,75	30	29	44	17	2,8 ÷ 3,4	3,2 ÷ 3,8
AUE 11 - MXV 65-3203	MXV 25-206	5,5 + 1,1	30	43	44	25	4,5 ÷ 5,1	4,9 ÷ 5,5
AUE 11 - MXV 65-3204	MXV 25-207	7,5 + 1,1	30	58	44	35	6,0 ÷ 6,6	6,4 ÷ 7,0
AUE 11 - MXV 65-3205	MXV 25-210	11 + 1,5	30	73	44	44	7,5 ÷ 8,1	7,9 ÷ 8,5
AUE 11 - MXV 65-3206	MXV 25-210	11 + 1,5	30	87	44	52	9,0 ÷ 9,6	9,4 ÷ 10
AUE 11 - MXV 80-4802	MXV 25-205	5,5 + 0,75	40	30	60	17	3,0 ÷ 3,6	3,3 ÷ 3,9
AUE 11 - MXV 80-4803	MXV 25-206	7,5 + 1,1	40	45	60	26	4,8 ÷ 5,4	5,1 ÷ 5,7
AUE 11 - MXV 80-4804	MXV 25-208	11 + 1,5	40	59	60	35	6,5 ÷ 7,1	6,8 ÷ 7,4
AUE 11 - MXV 80-4805	MXV 25-210	15 + 1,5	40	74	60	44	8,0 ÷ 8,6	8,3 ÷ 8,9
AUE 11 - MXV 80-4806	MXV 25-212	15 + 2,2	40	89	60	53	9,0 ÷ 9,6	9,4 ÷ 10

AUE 21 MXV

UNI-EN 12845 units with 2 multi-stage vertical electric main pumps



Performance

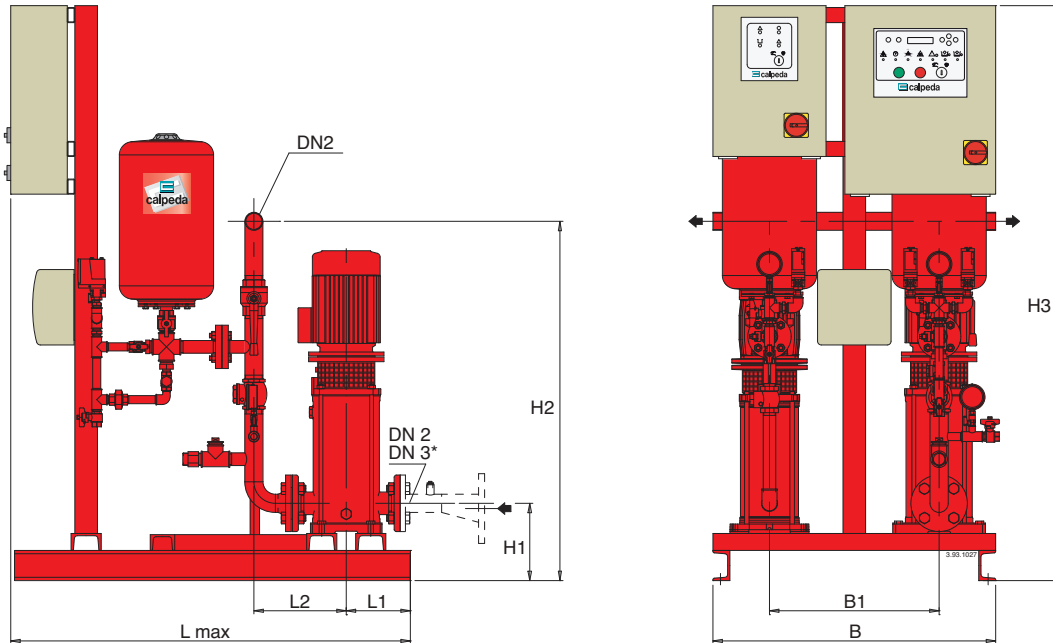
Unit designation		Power kW	Average capacity of one pump		Max. capacity of one pump		Pressure switch settings		
Main pump	Jockey pump		m³/h	m	m³/h	m	Main pump 1 bar	Main pump 2 bar	Jockey pump bar
AUE 21 - MXV 32-404	MXV 25-205	1,1 + 1,1 + 0,75	5	32	8	14	3,4 ÷ 4,0	3,1 ÷ 3,7	3,7 ÷ 4,3
AUE 21 - MXV 32-405	MXV 25-206	1,1 + 1,1 + 1,1	5	41	8	18	4,5 ÷ 5,1	4,2 ÷ 4,8	4,8 ÷ 5,4
AUE 21 - MXV 32-406	MXV 25-206	1,5 + 1,5 + 1,1	5	49	8	22	5,4 ÷ 6,0	5,1 ÷ 5,7	5,7 ÷ 6,3
AUE 21 - MXV 32-407	MXV 25-207	1,5 + 1,5 + 1,1	5	58	8	26	6,4 ÷ 7,0	6,0 ÷ 6,6	6,7 ÷ 7,3
AUE 21 - MXV 32-408	MXV 25-208	2,2 + 2,2 + 1,5	5	66	8	30	7,4 ÷ 8,0	7,0 ÷ 7,6	7,7 ÷ 8,3
AUE 21 - MXV 32-410	MXV 25-210	2,2 + 2,2 + 1,5	5	83	8	38	9,0 ÷ 9,6	8,5 ÷ 9,1	9,4 ÷ 10
AUE 21 - MXV 40-804	MXV 25-205	1,5 + 1,5 + 0,75	9	37	13	21	3,7 ÷ 4,3	3,4 ÷ 4,0	4,0 ÷ 4,6
AUE 21 - MXV 40-805	MXV 25-206	2,2 + 2,2 + 1,1	9	47	13	26	4,8 ÷ 5,4	4,5 ÷ 5,1	5,1 ÷ 5,7
AUE 21 - MXV 40-806	MXV 25-207	2,2 + 2,2 + 1,1	9	56	13	31	5,8 ÷ 6,4	5,5 ÷ 6,1	6,1 ÷ 6,7
AUE 21 - MXV 40-807	MXV 25-208	3 + 3 + 1,5	9	66	13	36	6,8 ÷ 7,4	6,4 ÷ 7,0	7,1 ÷ 7,7
AUE 21 - MXV 40-808	MXV 25-210	3 + 3 + 1,5	9	75	13	42	7,5 ÷ 8,1	7,0 ÷ 7,6	7,8 ÷ 8,4
AUE 21 - MXV 40-810	MXV 25-210	4 + 4 + 1,5	9	94	13	52	9,0 ÷ 9,6	8,5 ÷ 9,1	9,4 ÷ 10
AUE 21 - MXV 50-1603	MXV 25-205	3 + 3 + 0,75	16	41	24	20	4 ÷ 4,6	3,7 ÷ 4,3	4,4 ÷ 5,0
AUE 21 - MXV 50-1604	MXV 25-207	4 + 4 + 1,1	16	55	24	27	5,5 ÷ 6,1	5,2 ÷ 5,8	5,9 ÷ 6,5
AUE 21 - MXV 50-1605	MXV 25-208	5,5 + 5,5 + 1,5	16	69	24	33	7,0 ÷ 7,6	6,5 ÷ 7,1	7,4 ÷ 8,0
AUE 21 - MXV 50-1606	MXV 25-210	5,5 + 5,5 + 1,5	16	83	24	40	8,5 ÷ 9,1	8,0 ÷ 8,6	8,9 ÷ 9,5
AUE 21 - MXV 50-1607	MXV 25-212	7,5 + 7,5 + 2,2	16	97	24	47	9,0 ÷ 9,6	8,5 ÷ 9,1	9,4 ÷ 10
AUE 21 - MXV 65-3202	MXV 25-204	4 + 4 + 0,75	30	29	44	17	2,8 ÷ 3,4	2,5 ÷ 3,1	3,2 ÷ 3,8
AUE 21 - MXV 65-3203	MXV 25-206	5,5 + 5,5 + 1,1	30	43	44	25	4,5 ÷ 5,1	4,1 ÷ 4,7	4,9 ÷ 5,5
AUE 21 - MXV 65-3204	MXV 25-207	7,5 + 7,5 + 1,1	30	58	44	35	6 ÷ 6,6	5,5 ÷ 6,1	6,4 ÷ 7,0
AUE 21 - MXV 65-3205	MXV 25-210	11 + 11 + 1,5	30	73	44	44	7,5 ÷ 8,1	7,0 ÷ 7,6	7,9 ÷ 8,5
AUE 21 - MXV 65-3206	MXV 25-210	11 + 11 + 1,5	30	87	44	52	9,0 ÷ 9,6	8,5 ÷ 9,1	9,4 ÷ 10
AUE 21 - MXV 80-4802	MXV 25-205	5,5 + 5,5 + 0,75	40	30	60	17	3,0 ÷ 3,6	2,7 ÷ 3,3	3,3 ÷ 3,9
AUE 21 - MXV 80-4803	MXV 25-206	7,5 + 7,5 + 1,1	40	45	60	26	4,8 ÷ 5,4	4,5 ÷ 5,1	5,1 ÷ 5,7
AUE 21 - MXV 80-4804	MXV 25-208	11 + 11 + 1,5	40	59	60	35	6,5 ÷ 7,1	6,0 ÷ 6,6	6,8 ÷ 7,4
AUE 21 - MXV 80-4805	MXV 25-210	15 + 15 + 1,5	40	74	60	44	8,0 ÷ 8,6	7,5 ÷ 8,1	8,3 ÷ 8,9
AUE 21 - MXV 80-4806	MXV 25-212	15 + 15 + 2,2	40	89	60	53	9,0 ÷ 9,6	8,5 ÷ 9,1	9,4 ÷ 10

AUE 11 MXV

UNI-EN 12845 units with 1 multi-stage vertical electric main pump



Dimensions



Unit designation	Connections			Dimensions mm							
	DN1	DN2	DN3*	L max	B	B1	L1	L2	H1	H2	H3
AUE 11 - MXV 32-...	32	G 1 ¼	G 1	1005	750	450	150	215	200	910	1525
AUE 11 - MXV 40-...	40	G 1 ½	G 1	1060	750	450	170	245	205	955	1525
AUE 11 - MXV 50-...	50	G 2	G 1	1125	850	450	200	270	215	980	1525
AUE 11 - MXV 65-...	65	65	G 1	1160	850	450	200	300	230	1200	1525
AUE 11 - MXV 80-...	80	80	G 1	1210	850	450	200	335	230	1255	1525

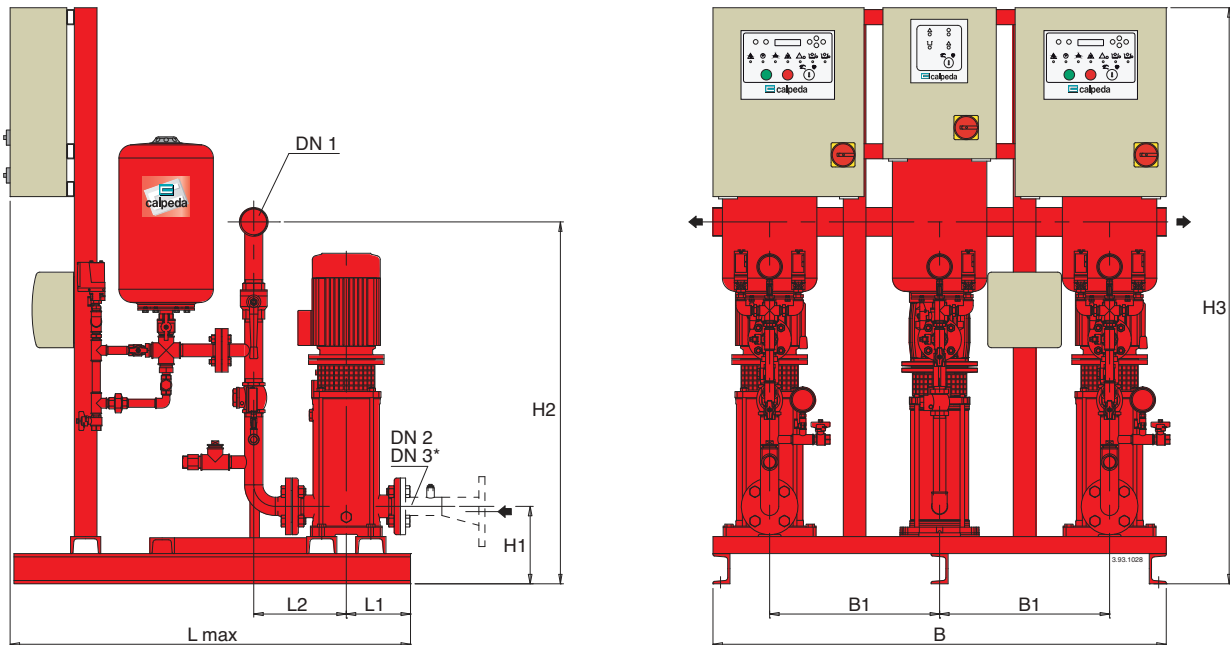
* Suction connection jockey pump

AUE 21 MXV

UNI-EN 12845 units with 2 multi-stage vertical electric main pumps



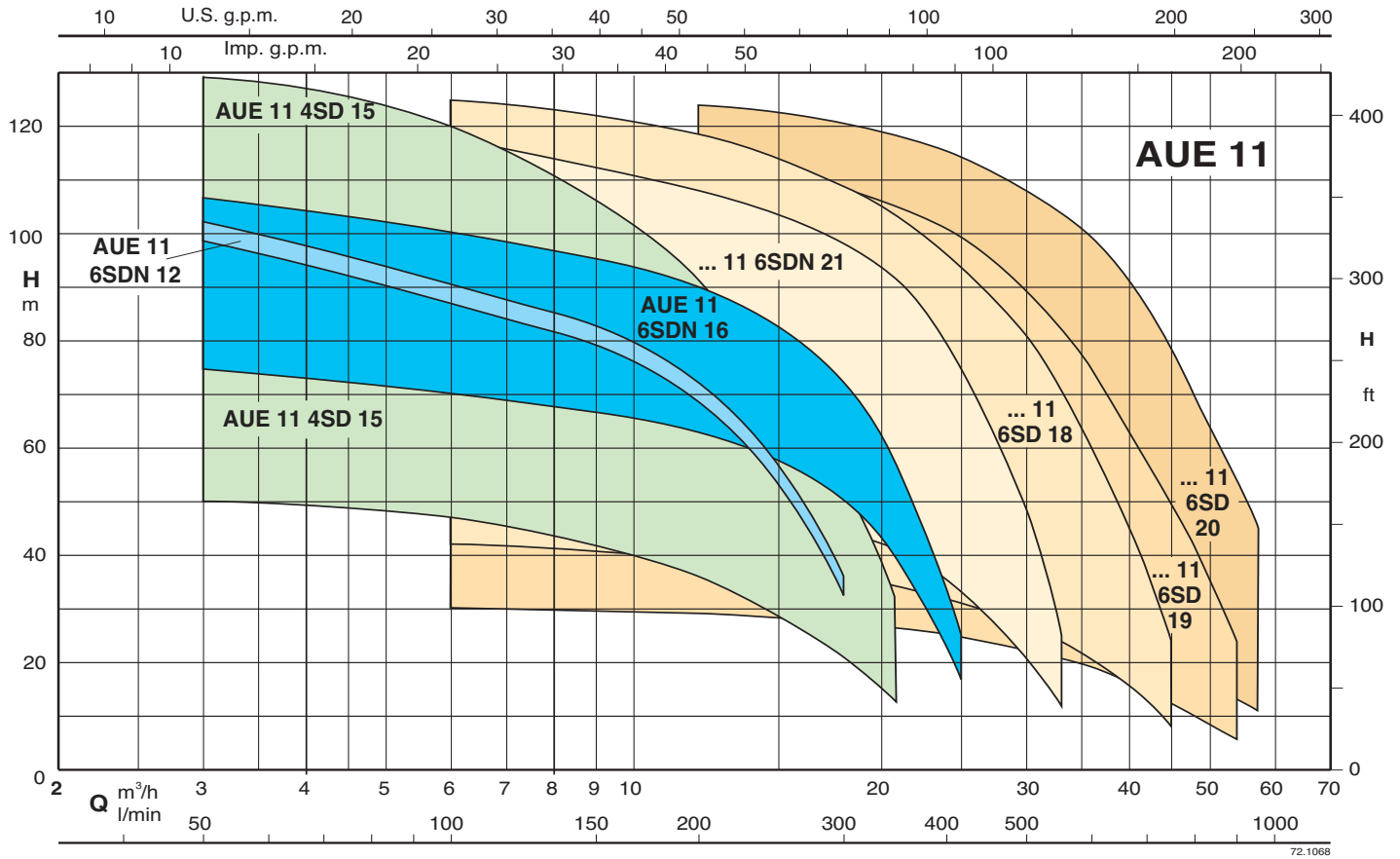
Dimensions



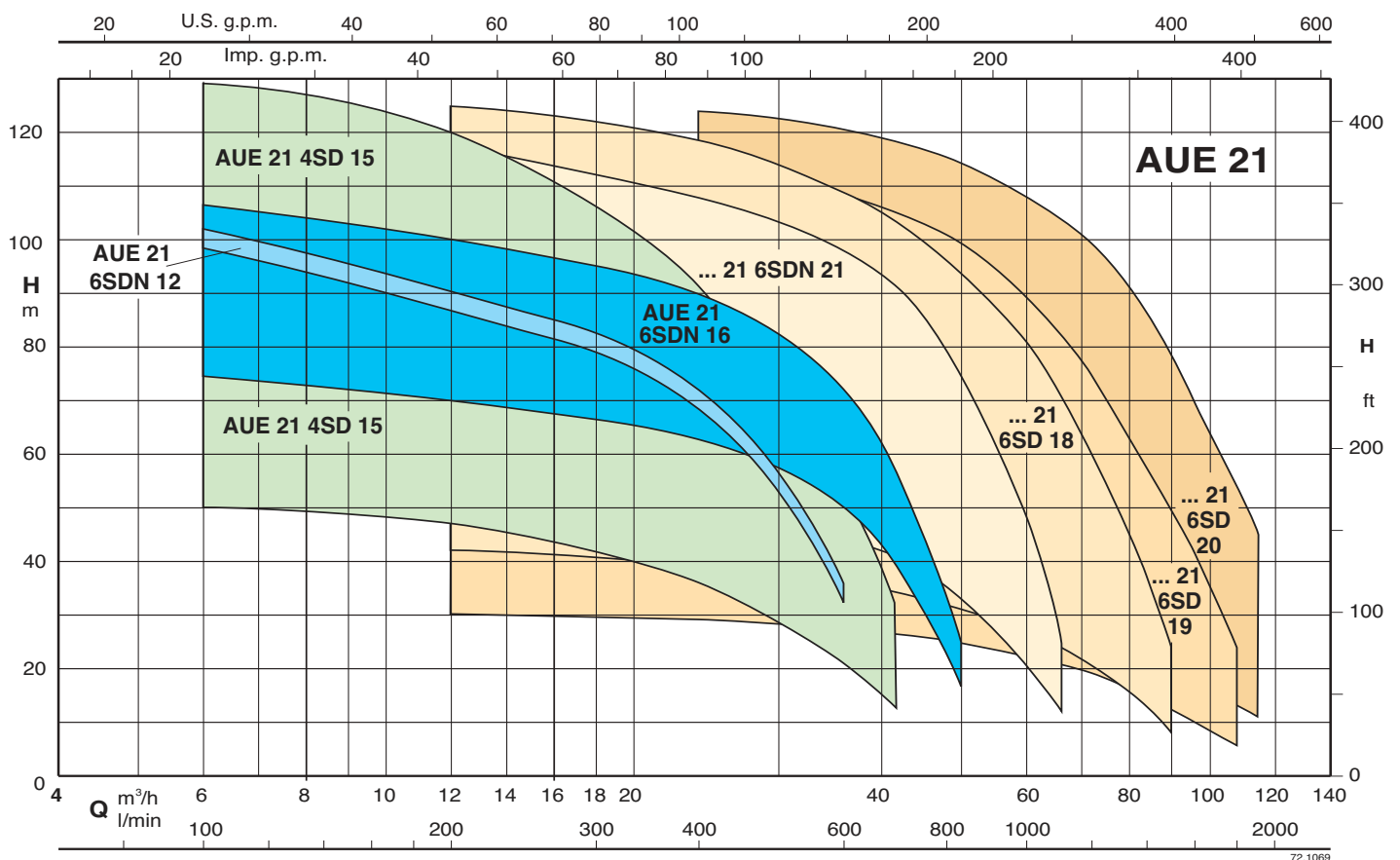
Unit designation	Connections			Dimensions mm							
	DN1	DN2	DN3*	L max	B	B1	L1	L2	H1	H2	H3
AUE 21 - MXV 32-...	32	G 1 ½	G 1	1005	1200	450	150	215	200	910	1525
AUE 21 - MXV 40-...	40	G 2	G 1	1060	1200	450	170	245	205	960	1525
AUE 21 - MXV 50-...	50	65	G 1	1125	1400	450	200	270	215	990	1525
AUE 21 - MXV 65-...	65	80	G 1	1160	1400	450	200	300	230	1205	1525
AUE 21 - MXV 80-...	80	100	G 1	1210	1400	450	200	335	230	1270	1525

* Suction connection jockey pump

With 1 SD series electric submersible borehole pump



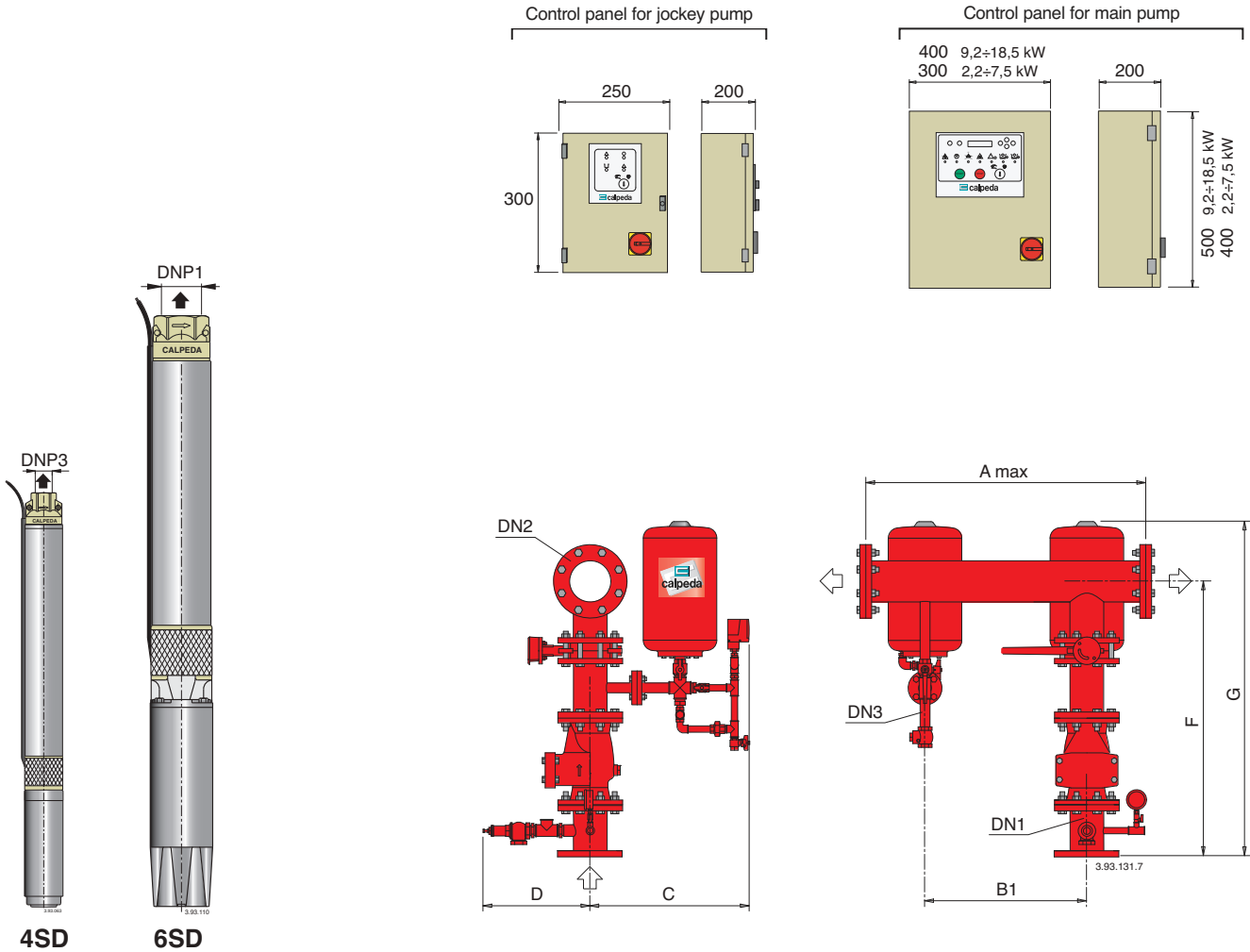
With 2 SD series electric submersible borehole pumps



Unit designation		Power kW	Average capacity pump		Max. capacity pump		Pressure switch settings	
Main pump	Jockey pump		m ³ /h	m	m ³ /h	m	Main pump bar	Jockey pump bar
AUE 11 - 4SD 15/9E	4SDF 22/14E	2,2 + 0,75	12	36	21	13	3,7 ÷ 4,3	4,0 ÷ 4,6
AUE 11 - 4SD 15/12E	4SDF 22/21E	3 + 1,1	12	48	21	17	5,0 ÷ 5,6	5,4 ÷ 6,0
AUE 11 - 4SD 15/15E	4SDF 22/21E	3,7 + 1,1	12	59	21	21	6,8 ÷ 7,4	7,2 ÷ 7,8
AUE 11 - 4SD 15/17E	4SDF 22/21E	4 + 1,1	12	67	21	24	7,8 ÷ 8,4	8,2 ÷ 8,8
AUE 11 - 4SD 15/23E	4SDF 22/28E	5,5 + 1,5	12	91	21	32	8,8 ÷ 9,4	9,2 ÷ 9,8
AUE 11 - 6SDN 12/10	4SDF 22/28E	4 + 1,5	10	80	18	37	8,6 ÷ 9,2	9,0 ÷ 9,6
AUE 11 - 6SDN 16/7	4SDF 22/21E	4 + 1,1	14	60	25	18,5	5,6 ÷ 6,2	6,0 ÷ 6,6
AUE 11 - 6SDN 16/10	4SDF 22/28E	5,5 + 1,5	14	85	25	26	7,6 ÷ 8,2	8,0 ÷ 8,6
AUE 11 - 6SDN 21/5	4SDF 22/14E	4 + 0,75	19	43	33	11	4,5 ÷ 5,1	4,8 ÷ 5,4
AUE 11 - 6SDN 21/7	4SDF 22/21E	5,5 + 1,1	19	60	33	16	6,0 ÷ 6,6	6,4 ÷ 7,0
AUE 11 - 6SDN 21/9	4SDF 22/28E	7,5 + 1,5	19	77	33	21	7,5 ÷ 8,1	7,9 ÷ 8,5
AUE 11 - 6SDN 21/11	4SDF 22/28E	9,2 + 1,5	19	94	33	25	9,0 ÷ 9,6	9,4 ÷ 10
AUE 11 - 6SD 18/3	4SDF 46/10E	4 + 0,75	26	30	45	8	2,6 ÷ 3,2	3,0 ÷ 3,6
AUE 11 - 6SD 18/4	4SDF 46/15E	5,5 + 1,1	26	41	45	11	3,8 ÷ 4,4	4,2 ÷ 4,8
AUE 11 - 6SD 18/5	4SDF 46/15E	7,5 + 1,1	26	51	45	13	5,1 ÷ 5,7	5,5 ÷ 6,1
AUE 11 - 6SD 18/6	4SDF 46/21E	9,2 + 1,5	26	62	45	16	6,1 ÷ 6,7	6,5 ÷ 7,1
AUE 11 - 6SD 18/7	4SDF 46/21E	9,2 + 1,5	26	72	45	19	7,1 ÷ 7,7	7,5 ÷ 8,1
AUE 11 - 6SD 18/8	4SDF 46/31E	11 + 2,2	26	83	45	21	7,6 ÷ 8,2	8,0 ÷ 8,6
AUE 11 - 6SD 18/9	4SDF 46/31E	15 + 2,2	26	93	45	24	8,1 ÷ 8,7	8,5 ÷ 9,1
AUE 11 - 6SD 19/2	4SDF 46/10E	4 + 0,75	30	22	54	6	1,3 ÷ 1,9	1,7 ÷ 2,3
AUE 11 - 6SD 19/3	4SDF 46/10E	5,5 + 0,75	30	33	54	9	2,8 ÷ 3,4	3,2 ÷ 3,8
AUE 11 - 6SD 19/4	4SDF 46/15E	7,5 + 1,1	30	45	54	12	4,1 ÷ 4,7	4,5 ÷ 5,1
AUE 11 - 6SD 19/5	4SDF 46/15E	9,2 + 1,1	30	56	54	15	5,6 ÷ 6,2	6,0 ÷ 6,6
AUE 11 - 6SD 19/6	4SDF 46/21E	11 + 1,5	30	67	54	18	6,6 ÷ 7,2	7,0 ÷ 7,6
AUE 11 - 6SD 19/7	4SDF 46/31E	15 + 2,2	30	79	54	21	7,6 ÷ 8,2	8,0 ÷ 8,6
AUE 11 - 6SD 19/8	4SDF 46/31E	15 + 2,2	30	89	54	24	8,1 ÷ 8,7	8,5 ÷ 9,1
AUE 11 - 6SD 20/2	4SDF 46/10E	5,5 + 0,75	35	25	57	11	1,3 ÷ 1,9	1,7 ÷ 2,3
AUE 11 - 6SD 20/3	4SDF 46/10E	7,5 + 0,75	35	38	57	17	2,8 ÷ 3,4	3,2 ÷ 3,8
AUE 11 - 6SD 20/4	4SDF 46/15E	9,2 + 1,1	35	50	57	22	4,1 ÷ 4,7	4,5 ÷ 5,1
AUE 11 - 6SD 20/5	4SDF 46/15E	11 + 1,1	35	62	57	28	5,6 ÷ 6,2	6,0 ÷ 6,6
AUE 11 - 6SD 20/6	4SDF 46/21E	15 + 1,5	35	75	57	34	7,1 ÷ 7,7	7,5 ÷ 8,1
AUE 11 - 6SD 20/7	4SDF 46/31E	15 + 2,2	35	88	57	39	7,6 ÷ 8,2	8,0 ÷ 8,6
AUE 11 - 6SD 20/8	4SDF 46/31E	18,5 + 2,2	35	100	57	45	8,1 ÷ 8,7	8,5 ÷ 9,1

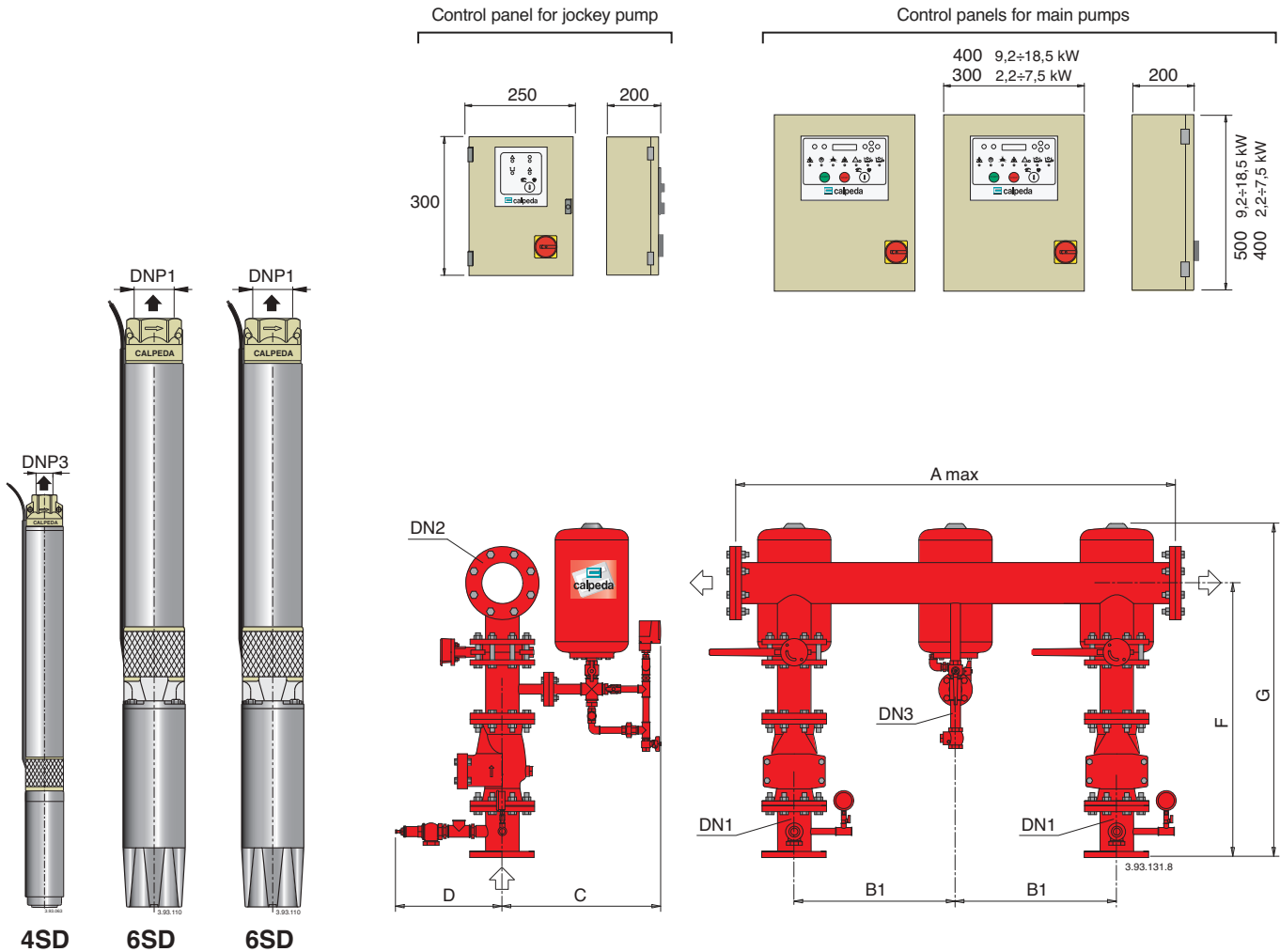
Unit designation	Main pump	Jockey pump	Power kW	Average capacity of one pump		Max. capacity of one pump		Pressure switch settings		
				m ³ /h	m	m ³ /h	m	Main pump 1 bar	Main pump 2 bar	Jockey pump bar
AUE 21 - 4SD 15/9E	4SDF 22/14E	4SDF 22/14E	2,2 + 2,2 + 0,75	12	36	21	13	3,7 ÷ 4,3	3,4 ÷ 4,0	4,0 ÷ 4,6
AUE 21 - 4SD 15/12E	4SDF 22/21E	4SDF 22/21E	3 + 3 + 1,1	12	48	21	17	5,0 ÷ 5,6	4,7 ÷ 5,3	5,4 ÷ 6,0
AUE 21 - 4SD 15/15E	4SDF 22/21E	4SDF 22/21E	3,7 + 3,7 + 1,1	12	59	21	21	6,8 ÷ 7,4	6,2 ÷ 6,8	7,2 ÷ 7,8
AUE 21 - 4SD 15/17E	4SDF 22/21E	4SDF 22/21E	4 + 4 + 1,1	12	67	21	24	7,8 ÷ 8,4	7,2 ÷ 7,8	8,2 ÷ 8,8
AUE 21 - 4SD 15/23E	4SDF 22/28E	4SDF 22/28E	5,5 + 5,5 + 1,5	12	91	21	32	8,8 ÷ 9,4	8,4 ÷ 9,0	9,2 ÷ 9,8
AUE 21 - 6SDN 12/10	4SDF 22/28E	4SDF 22/28E	4 + 4 + 1,5	10	80	18	37	8,6 ÷ 9,2	8,2 ÷ 8,8	9,0 ÷ 9,6
AUE 21 - 6SDN 16/7	4SDF 22/21E	4SDF 22/21E	4 + 4 + 1,1	14	60	25	18,5	5,6 ÷ 6,2	5,2 ÷ 5,8	6,0 ÷ 6,6
AUE 21 - 6SDN 16/10	4SDF 22/28E	4SDF 22/28E	5,5 + 5,5 + 1,5	14	85	25	26	7,6 ÷ 8,2	7,2 ÷ 7,8	8,0 ÷ 8,6
AUE 21 - 6SDN 21/5	4SDF 22/14E	4SDF 22/14E	4 + 4 + 0,75	19	43	33	11	4,5 ÷ 5,1	4,0 ÷ 4,6	4,8 ÷ 5,4
AUE 21 - 6SDN 21/7	4SDF 22/21E	4SDF 22/21E	5,5 + 5,5 + 1,1	19	60	33	16	6,0 ÷ 6,6	5,5 ÷ 6,1	6,4 ÷ 7,0
AUE 21 - 6SDN 21/9	4SDF 22/28E	4SDF 22/28E	7,5 + 7,5 + 1,5	19	77	33	21	7,5 ÷ 8,1	7,0 ÷ 7,6	7,9 ÷ 8,5
AUE 21 - 6SDN 21/11	4SDF 22/28E	4SDF 22/28E	9,2 + 9,2 + 1,5	19	94	33	25	9,0 ÷ 9,6	8,5 ÷ 9,1	9,4 ÷ 10
AUE 21 - 6SD 18/3	4SDF 46/10E	4SDF 46/10E	4 + 4 + 0,75	26	30	45	8	2,6 ÷ 3,2	2,3 ÷ 2,9	3,0 ÷ 3,6
AUE 21 - 6SD 18/4	4SDF 46/15E	4SDF 46/15E	5,5 + 5,5 + 1,1	26	41	45	11	3,8 ÷ 4,4	3,4 ÷ 4,0	4,2 ÷ 4,8
AUE 21 - 6SD 18/5	4SDF 46/15E	4SDF 46/15E	7,5 + 7,5 + 1,1	26	51	45	13	5,1 ÷ 5,7	4,7 ÷ 5,3	5,5 ÷ 6,1
AUE 21 - 6SD 18/6	4SDF 46/21E	4SDF 46/21E	9,2 + 9,2 + 1,5	26	62	45	16	6,1 ÷ 6,7	5,7 ÷ 6,3	6,5 ÷ 7,1
AUE 21 - 6SD 18/7	4SDF 46/21E	4SDF 46/21E	9,2 + 9,2 + 1,5	26	72	45	19	7,1 ÷ 7,7	6,7 ÷ 7,3	7,5 ÷ 8,1
AUE 21 - 6SD 18/8	4SDF 46/31E	4SDF 46/31E	11 + 11 + 2,2	26	83	45	21	7,6 ÷ 8,2	7,2 ÷ 7,8	8,0 ÷ 8,6
AUE 21 - 6SD 18/9	4SDF 46/31E	4SDF 46/31E	15 + 15 + 2,2	26	93	45	24	8,1 ÷ 8,7	7,7 ÷ 8,3	8,5 ÷ 9,1
AUE 21 - 6SD 19/2	4SDF 46/10E	4SDF 46/10E	4 + 4 + 0,75	30	22	54	6	1,3 ÷ 1,9	1,0 ÷ 1,6	1,7 ÷ 2,3
AUE 21 - 6SD 19/3	4SDF 46/10E	4SDF 46/10E	5,5 + 5,5 + 0,75	30	33	54	9	2,8 ÷ 3,4	2,5 ÷ 3,1	3,2 ÷ 3,8
AUE 21 - 6SD 19/4	4SDF 46/15E	4SDF 46/15E	7,5 + 7,5 + 1,1	30	45	54	12	4,1 ÷ 4,7	3,7 ÷ 4,3	4,5 ÷ 5,1
AUE 21 - 6SD 19/5	4SDF 46/15E	4SDF 46/15E	9,2 + 9,2 + 1,1	30	56	54	15	5,6 ÷ 6,2	5,2 ÷ 5,8	6,0 ÷ 6,6
AUE 21 - 6SD 19/6	4SDF 46/21E	4SDF 46/21E	11 + 11 + 1,5	30	67	54	18	6,6 ÷ 7,2	6,2 ÷ 6,8	7,0 ÷ 7,6
AUE 21 - 6SD 19/7	4SDF 46/31E	4SDF 46/31E	15 + 15 + 2,2	30	79	54	21	7,6 ÷ 8,2	7,2 ÷ 7,8	8,0 ÷ 8,6
AUE 21 - 6SD 19/8	4SDF 46/31E	4SDF 46/31E	15 + 15 + 2,2	30	89	54	24	8,1 ÷ 8,7	7,7 ÷ 8,3	8,5 ÷ 9,1
AUE 21 - 6SD 20/2	4SDF 46/10E	4SDF 46/10E	5,5 + 5,5 + 0,75	35	25	57	11	1,3 ÷ 1,9	1,0 ÷ 1,6	1,7 ÷ 2,3
AUE 21 - 6SD 20/3	4SDF 46/10E	4SDF 46/10E	7,5 + 7,5 + 0,75	35	38	57	17	2,8 ÷ 3,4	2,5 ÷ 3,1	3,2 ÷ 3,8
AUE 21 - 6SD 20/4	4SDF 46/15E	4SDF 46/15E	9,2 + 9,2 + 1,1	35	50	57	22	4,1 ÷ 4,7	3,7 ÷ 4,3	4,5 ÷ 5,1
AUE 21 - 6SD 20/5	4SDF 46/15E	4SDF 46/15E	11 + 11 + 1,1	35	62	57	28	5,6 ÷ 6,2	5,2 ÷ 5,8	6,0 ÷ 6,6
AUE 21 - 6SD 20/6	4SDF 46/21E	4SDF 46/21E	15 + 15 + 1,5	35	75	57	34	7,1 ÷ 7,7	6,7 ÷ 7,3	7,5 ÷ 8,1
AUE 21 - 6SD 20/7	4SDF 46/31E	4SDF 46/31E	15 + 15 + 2,2	35	88	57	39	7,6 ÷ 8,2	7,2 ÷ 7,8	8,0 ÷ 8,6
AUE 21 - 6SD 20/8	4SDF 46/31E	4SDF 46/31E	18,5 + 18,5 + 2,2	35	100	57	45	8,1 ÷ 8,7	7,7 ÷ 8,3	8,5 ÷ 9,1

Dimensions



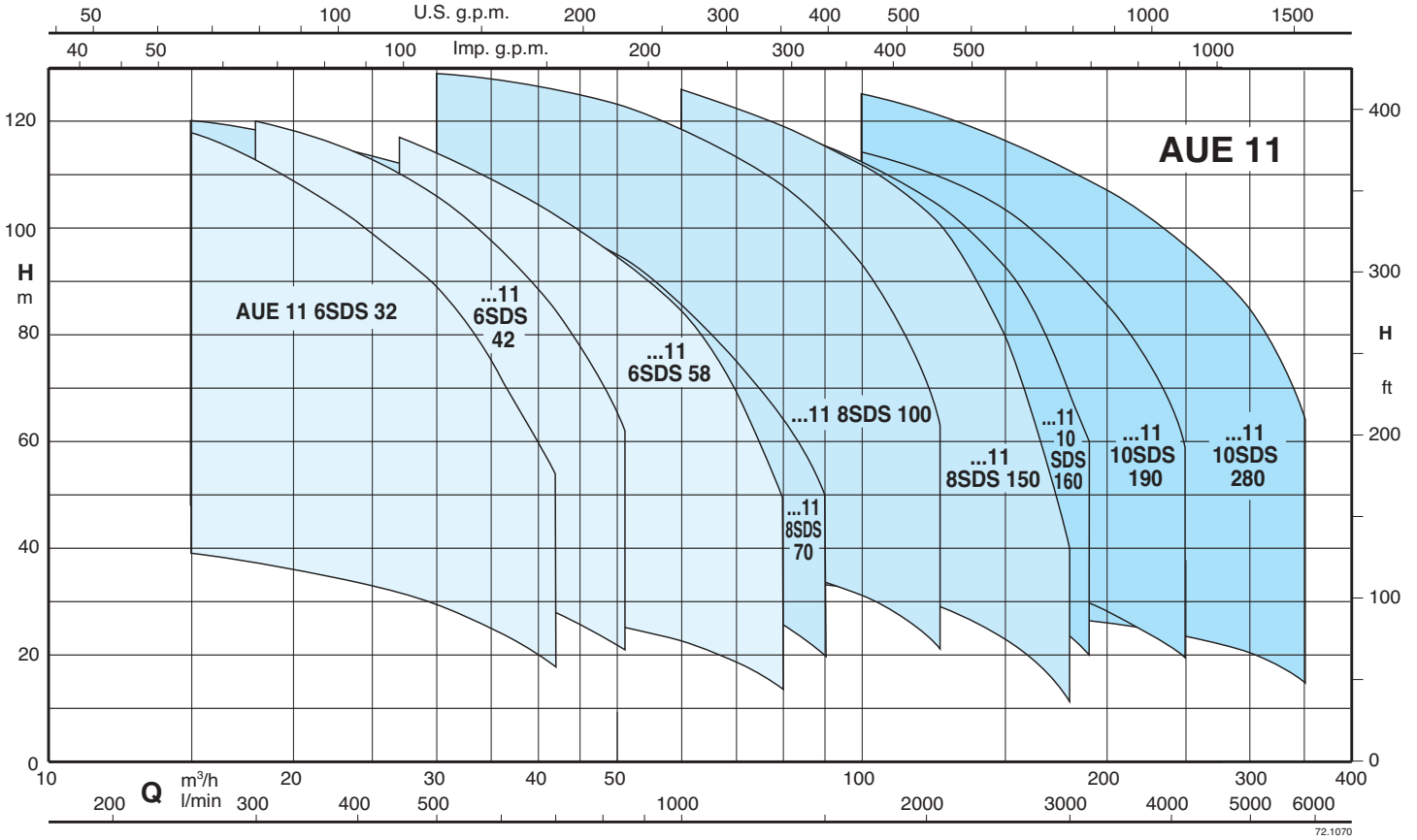
Unit designation	Connections					Dimensions mm					
	DN1	DNP1	DN2	DNP3	DN3	A	B1	C	D	F	G
AUE 11 - 4SD 15/..	G 2	G 2	G 2	G 1 1/4	G 1	750	500	500	425	675	900
AUE 11 - 6SDN 12/..	G 2	G 3	G 2	G 1 1/4	G 1	750	500	515	430	815	1055
AUE 11 - 6SDN 16/..	G 2	G 3	G 2	G 1 1/4	G 1	750	500	515	430	815	1055
AUE 11 - 6SDN 21/..	G 2	G 3	G 2	G 1 1/4	G 1	750	500	515	430	815	1055
AUE 11 - 6SD 18/..	65	G 3	65	G 1 1/4	G 1	800	500	525	435	840	1075
AUE 11 - 6SD 19/..	65	G 3	65	G 1 1/4	G 1	800	500	525	435	840	1075
AUE 11 - 6SD 20/..	65	G 3	65	G 1 1/4	G 1	800	500	525	435	840	1075

Dimensions

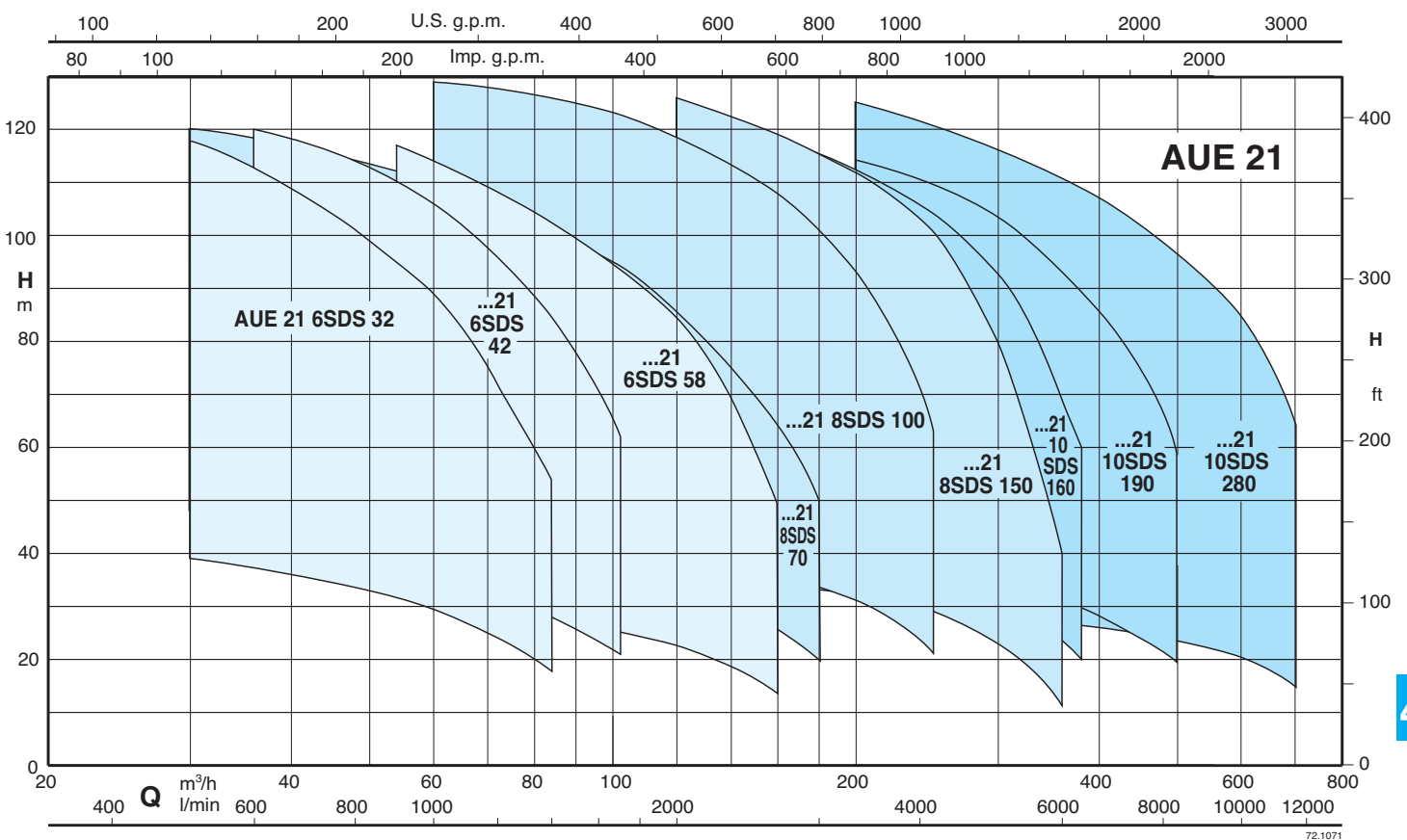


Unit designation	Connections					Dimensions mm					
	DN1	DNP1	DN2	DNP3	DN3	A	B1	C	D	F	G
AUE 21 - 4SD 15/..	G 2	G 2	65	G 1 1/4	G 1	1200	450	515	425	690	900
AUE 21 - 6SDN 12/..	G 2	G 3	65	G 1 1/4	G 1	1200	450	525	430	830	1055
AUE 21 - 6SDN 16/..	G 2	G 3	65	G 1 1/4	G 1	1200	450	525	430	830	1055
AUE 21 - 6SDN 21/..	G 2	G 3	65	G 1 1/4	G 1	1200	450	525	430	830	1055
AUE 21 - 6SD 18/..	65	G 3	80	G 1 1/4	G 1	1200	550	540	435	855	1075
AUE 21 - 6SD 19/..	65	G 3	80	G 1 1/4	G 1	1200	550	540	435	855	1075
AUE 21 - 6SD 20/..	65	G 3	80	G 1 1/4	G 1	1200	550	540	435	855	1075

With 1 SDS series electric submersible borehole pump



With 2 SDS series electric submersible borehole pumps



Unit designation	Main pump	Jockey pump	Power kW	Average capacity pump		Max. capacity pump		Pressure switch settings	
				m ³ /h	m	m ³ /h	m	Main pump bar	Main pump bar
AUE 11 - 6SDS 32/3	4SDF 46/10E	4SDF 46/10E	4 + 0,75	27	31	42	18	2,3 ÷ 2,9	2,7 ÷ 3,3
AUE 11 - 6SDS 32/4	4SDF 46/10E	4SDF 46/10E	5,5 + 0,75	27	42	42	24	3,3 ÷ 3,9	3,7 ÷ 4,3
AUE 11 - 6SDS 32/5	4SDF 46/15E	4SDF 46/15E	7,5 + 1,1	27	52	42	30	4,6 ÷ 5,2	5,0 ÷ 5,6
AUE 11 - 6SDS 32/6	4SDF 46/21E	4SDF 46/21E	7,5 + 1,5	27	63	42	36	5,6 ÷ 6,2	6,0 ÷ 6,6
AUE 11 - 6SDS 32/7	4SDF 46/21E	4SDF 46/21E	9,2 + 1,5	27	73	42	42	6,6 ÷ 7,2	7,0 ÷ 7,6
AUE 11 - 6SDS 32/8	4SDF 46/31E	4SDF 46/31E	11 + 2,2	27	84	42	48	7,6 ÷ 8,2	8,0 ÷ 8,6
AUE 11 - 6SDS 32/9	4SDF 46/31E	4SDF 46/31E	15 + 2,2	27	94	42	54	8,1 ÷ 8,7	8,5 ÷ 9,1
AUE 11 - 6SDS 42/3	4SDF 46/10E	4SDF 46/10E	5,5 + 0,75	35	32	51	21	2,8 ÷ 3,4	3,2 ÷ 3,8
AUE 11 - 6SDS 42/4	4SDF 46/10E	4SDF 46/10E	7,5 + 0,75	35	43	51	27	3,6 ÷ 4,2	4,0 ÷ 4,6
AUE 11 - 6SDS 42/5	4SDF 46/15E	4SDF 46/15E	9,2 + 1,1	35	54	51	34	4,6 ÷ 5,2	5,0 ÷ 5,6
AUE 11 - 6SDS 42/6	4SDF 46/21E	4SDF 46/21E	11 + 1,5	35	65	51	41	5,6 ÷ 6,2	6,0 ÷ 6,6
AUE 11 - 6SDS 42/7	4SDF 46/21E	4SDF 46/21E	15 + 1,5	35	76	51	48	6,6 ÷ 7,2	7,0 ÷ 7,6
AUE 11 - 6SDS 42/8	4SDF 46/31E	4SDF 46/31E	15 + 2,2	35	87	51	55	7,6 ÷ 8,2	8,0 ÷ 8,6
AUE 11 - 6SDS 42/9	4SDF 46/31E	4SDF 46/31E	15 + 2,2	35	98	51	62	8,1 ÷ 8,7	8,5 ÷ 9,1
AUE 11 - 6SDS 58/3	4SDF 46/10E	4SDF 46/10E	5,5 + 0,75	54	25	80	13	1,8 ÷ 2,4	2,2 ÷ 2,8
AUE 11 - 6SDS 58/4	4SDF 46/10E	4SDF 46/10E	7,5 + 0,75	54	33	80	18	2,8 ÷ 3,4	3,2 ÷ 3,8
AUE 11 - 6SDS 58/5	4SDF 46/15E	4SDF 46/15E	9,2 + 1,1	54	42	80	22	3,6 ÷ 4,2	4,0 ÷ 4,6
AUE 11 - 6SDS 58/6	4SDF 46/15E	4SDF 46/15E	11 + 1,1	54	50	80	27	4,6 ÷ 5,2	5,0 ÷ 5,6
AUE 11 - 6SDS 58/7	4SDF 46/21E	4SDF 46/21E	15 + 1,5	54	58	80	31	5,6 ÷ 6,2	6,0 ÷ 6,6
AUE 11 - 6SDS 58/8	4SDF 46/21E	4SDF 46/21E	15 + 1,5	54	67	80	36	6,6 ÷ 7,2	7,0 ÷ 7,6
AUE 11 - 6SDS 58/9	4SDF 46/21E	4SDF 46/21E	18,5 + 1,5	54	75	80	40	7,1 ÷ 7,7	7,5 ÷ 8,1
AUE 11 - 6SDS 58/10	4SDF 46/31E	4SDF 46/31E	18,5 + 2,2	54	84	80	45	7,6 ÷ 8,2	8,0 ÷ 8,6
AUE 11 - 6SDS 58/11	4SDF 46/31E	4SDF 46/31E	22 + 2,2	54	92	80	49	8,1 ÷ 8,7	8,5 ÷ 9,1
AUE 11 - 8SDS 70/2	4SDF 46/10E	4SDF 46/10E	9,2 + 0,75	55	36	90	20	2,8 ÷ 3,4	3,2 ÷ 3,8
AUE 11 - 8SDS 70/3	4SDF 46/15E	4SDF 46/15E	15 + 1,1	55	54	90	30	4,6 ÷ 5,2	5,0 ÷ 5,6
AUE 11 - 8SDS 70/4	4SDF 46/21E	4SDF 46/21E	18,5 + 1,5	55	72	90	40	6,6 ÷ 7,2	7,0 ÷ 7,6
AUE 11 - 8SDS 70/5	4SDF 46/31E	4SDF 46/31E	22 + 2,2	55	90	90	50	7,6 ÷ 8,2	8,0 ÷ 8,6
AUE 11 - 8SDS 100/2	4SDF 46/10E	4SDF 46/10E	11 + 0,75	80	36	125	21	2,6 ÷ 3,2	3,0 ÷ 3,6
AUE 11 - 8SDS 100/3	4SDF 46/15E	4SDF 46/15E	18,5 + 1,1	80	54	125	31	4,6 ÷ 5,2	5,0 ÷ 5,6
AUE 11 - 8SDS 100/4	4SDF 46/21E	4SDF 46/21E	22 + 1,5	80	72	125	42	6,6 ÷ 7,2	7,0 ÷ 7,6
AUE 11 - 8SDS 100/5	4SDF 46/31E	4SDF 46/31E	30 + 2,2	80	90	125	52	7,6 ÷ 8,2	8,0 ÷ 8,6
AUE 11 - 8SDS 100/6	4SDF 46/31E	4SDF 46/31E	37 + 2,2	80	108	125	63	8,1 ÷ 8,7	8,5 ÷ 9,1
AUE 11 - 8SDS 150/2	4SDF 46/10E	4SDF 46/10E	15 + 0,75	120	30	180	11	2,3 ÷ 2,9	2,7 ÷ 3,3
AUE 11 - 8SDS 150/3	4SDF 46/15E	4SDF 46/15E	22 + 1,1	120	45	180	16	3,6 ÷ 4,2	4,0 ÷ 4,6
AUE 11 - 8SDS 150/4	4SDF 46/15E	4SDF 46/15E	30 + 1,1	120	60	180	22	5,6 ÷ 6,2	6,0 ÷ 6,6
AUE 11 - 8SDS 150/5	4SDF 46/21E	4SDF 46/21E	37 + 1,5	120	75	180	27	6,6 ÷ 7,2	7,0 ÷ 7,6
AUE 11 - 8SDS 150/6	4SDF 46/31E	4SDF 46/31E	45 + 2,2	120	90	180	33	7,6 ÷ 8,2	8,0 ÷ 8,6
AUE 11 - 8SDS 150/7	4SDF 46/31E	4SDF 46/31E	51 + 2,2	120	105	180	38	8,1 ÷ 8,7	8,5 ÷ 9,1
AUE 11 - 10SDS 160/1	4SDF 46/10E	4SDF 46/10E	18,5 + 0,75	135	33	190	20	2,3 ÷ 2,9	2,7 ÷ 3,3
AUE 11 - 10SDS 160/2	4SDF 46/21E	4SDF 46/21E	37 + 1,5	135	66	190	40	6,1 ÷ 6,7	6,5 ÷ 7,1
AUE 11 - 10SDS 160/3	4SDF 46/31E	4SDF 46/31E	55 + 2,2	145	95	190	60	8,1 ÷ 8,7	8,5 ÷ 9,1
AUE 11 - 10SDS 190/1	4SDF 46/10E	4SDF 46/10E	22 + 0,75	180	31	250	19	2,3 ÷ 2,9	2,7 ÷ 3,3
AUE 11 - 10SDS 190/2	4SDF 46/21E	4SDF 46/21E	45 + 1,5	180	62	250	39	5,6 ÷ 6,2	6,0 ÷ 6,6
AUE 11 - 10SDS 190/3	4SDF 46/31E	4SDF 46/31E	66 + 2,2	180	93	250	59	8,1 ÷ 8,7	8,5 ÷ 9,1
AUE 11 - 10SDS 280/1	4SD 10/6E	4SD 10/6E	26 + 1,1	250	25	350	16	2,4 ÷ 3,0	3,0 ÷ 3,6
AUE 11 - 10SDS 280/2	4SD 10/12E	4SD 10/12E	55 + 2,2	250	49	350	31	5,0 ÷ 5,6	5,5 ÷ 6,1
AUE 11 - 10SDS 280/3	4SD 10/17E	4SD 10/17E	75 + 3	250	73	350	47	7,0 ÷ 7,6	7,5 ÷ 8,1
AUE 11 - 10SDS 280/4	4SD 10/17E	4SD 10/17E	110 + 3	250	97	350	63	9,0 ÷ 9,6	9,5 ÷ 10,1

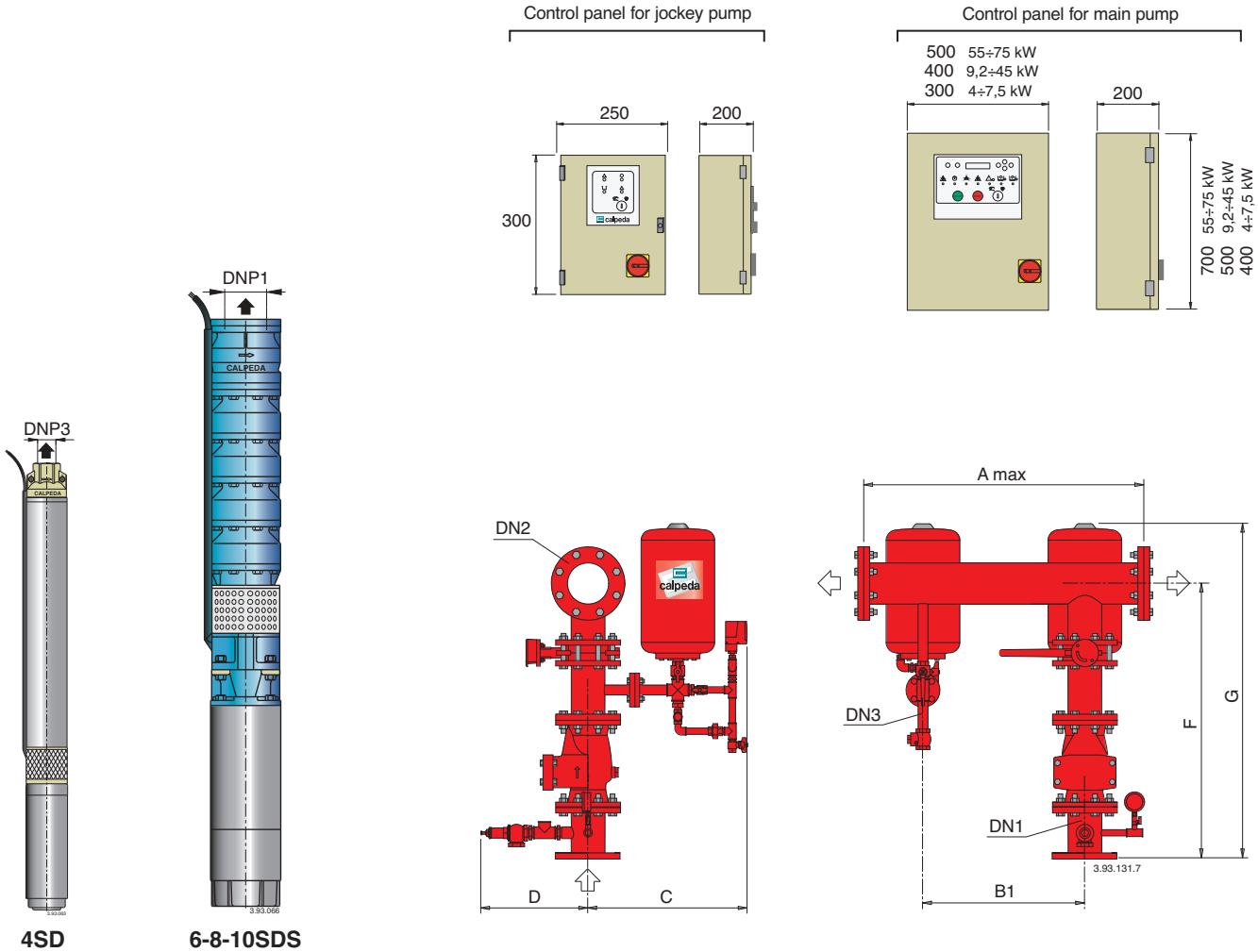
Unit designation		Power	Average capacity of one pump		Max. capacity of one pump		Pressure switch settings		
			m ³ /h	m	m ³ /h	m	Main pump 1 bar	Main pump 2 bar	Jockey pump bar
Main pump	Jockey pump	kW							
AUE 21 - 6SDS 32/3	4SDF 46/10E	4 + 4 + 0,75	27	31	42	18	2,3 ÷ 2,9	2,0 ÷ 2,6	2,7 ÷ 3,3
AUE 21 - 6SDS 32/4	4SDF 46/10E	5,5 + 5,5 + 0,75	27	42	42	24	3,3 ÷ 3,9	3,0 ÷ 3,6	3,7 ÷ 4,3
AUE 21 - 6SDS 32/5	4SDF 46/15E	7,5 + 7,5 + 1,1	27	52	42	30	4,6 ÷ 5,2	4,2 ÷ 4,8	5,0 ÷ 5,6
AUE 21 - 6SDS 32/6	4SDF 46/21E	7,5 + 7,5 + 1,5	27	63	42	36	5,6 ÷ 6,2	5,2 ÷ 5,8	6,0 ÷ 6,6
AUE 21 - 6SDS 32/7	4SDF 46/21E	9,2 + 9,2 + 1,5	27	73	42	42	6,6 ÷ 7,2	6,2 ÷ 6,8	7,0 ÷ 7,6
AUE 21 - 6SDS 32/8	4SDF 46/31E	11 + 11 + 2,2	27	84	42	48	7,6 ÷ 8,2	7,2 ÷ 7,8	8,0 ÷ 8,6
AUE 21 - 6SDS 32/9	4SDF 46/31E	15 + 15 + 2,2	27	94	42	54	8,1 ÷ 8,7	7,7 ÷ 8,3	8,5 ÷ 9,1
AUE 21 - 6SDS 42/3	4SDF 46/10E	5,5 + 5,5 + 0,75	35	32	51	21	2,8 ÷ 3,4	2,5 ÷ 3,1	3,2 ÷ 3,8
AUE 21 - 6SDS 42/4	4SDF 46/10E	7,5 + 7,5 + 0,75	35	43	51	27	3,6 ÷ 4,2	3,3 ÷ 3,9	4,0 ÷ 4,6
AUE 21 - 6SDS 42/5	4SDF 46/15E	9,2 + 9,2 + 1,1	35	54	51	34	4,6 ÷ 5,2	4,2 ÷ 4,8	5,0 ÷ 5,6
AUE 21 - 6SDS 42/6	4SDF 46/21E	11 + 11 + 1,5	35	65	51	41	5,6 ÷ 6,2	5,2 ÷ 5,8	6,0 ÷ 6,6
AUE 21 - 6SDS 42/7	4SDF 46/21E	15 + 15 + 1,5	35	76	51	48	6,6 ÷ 7,2	6,2 ÷ 6,8	7,0 ÷ 7,6
AUE 21 - 6SDS 42/8	4SDF 46/31E	15 + 15 + 2,2	35	87	51	55	7,6 ÷ 8,2	7,2 ÷ 7,8	8,0 ÷ 8,6
AUE 21 - 6SDS 42/9	4SDF 46/31E	15 + 15 + 2,2	35	98	51	62	8,1 ÷ 8,7	7,7 ÷ 8,3	8,5 ÷ 9,1
AUE 21 - 6SDS 58/3	4SDF 46/10E	5,5 + 5,5 + 0,75	54	25	80	13	1,8 ÷ 2,4	1,5 ÷ 2,1	2,2 ÷ 2,8
AUE 21 - 6SDS 58/4	4SDF 46/10E	7,5 + 7,5 + 0,75	54	33	80	18	2,8 ÷ 3,4	2,5 ÷ 3,1	3,2 ÷ 3,8
AUE 21 - 6SDS 58/5	4SDF 46/15E	9,2 + 9,2 + 1,1	54	42	80	22	3,6 ÷ 4,2	3,3 ÷ 3,9	4,0 ÷ 4,6
AUE 21 - 6SDS 58/6	4SDF 46/15E	11 + 11 + 1,1	54	50	80	27	4,6 ÷ 5,2	4,2 ÷ 4,8	5,0 ÷ 5,6
AUE 21 - 6SDS 58/7	4SDF 46/21E	15 + 15 + 1,5	54	58	80	31	5,6 ÷ 6,2	5,2 ÷ 5,8	6,0 ÷ 6,6
AUE 21 - 6SDS 58/8	4SDF 46/21E	15 + 15 + 1,5	54	67	80	36	6,6 ÷ 7,2	6,2 ÷ 6,8	7,0 ÷ 7,6
AUE 21 - 6SDS 58/9	4SDF 46/21E	18,5 + 18,5 + 1,5	54	75	80	40	7,1 ÷ 7,7	6,7 ÷ 7,3	7,5 ÷ 8,1
AUE 21 - 6SDS 58/10	4SDF 46/31E	18,5 + 18,5 + 2,2	54	84	80	45	7,6 ÷ 8,2	7,2 ÷ 7,8	8,0 ÷ 8,6
AUE 21 - 6SDS 58/11	4SDF 46/31E	22 + 22 + 2,2	54	92	80	49	8,1 ÷ 8,7	7,7 ÷ 8,3	8,5 ÷ 9,1
AUE 21 - 8SDS 70/2	4SDF 46/10E	9,2 + 9,2 + 0,75	55	36	90	20	2,8 ÷ 3,4	2,5 ÷ 3,1	3,2 ÷ 3,8
AUE 21 - 8SDS 70/3	4SDF 46/15E	15 + 15 + 1,1	55	54	90	30	4,6 ÷ 5,2	4,2 ÷ 4,8	5,0 ÷ 5,6
AUE 21 - 8SDS 70/4	4SDF 46/21E	18,5 + 18,5 + 1,5	55	72	90	40	6,6 ÷ 7,2	6,2 ÷ 6,8	7,0 ÷ 7,6
AUE 21 - 8SDS 70/5	4SDF 46/31E	22 + 22 + 2,2	55	90	90	50	7,6 ÷ 8,2	7,2 ÷ 7,8	8,0 ÷ 8,6
AUE 21 - 8SDS 100/2	4SDF 46/10E	11 + 11 + 0,75	80	36	125	21	2,6 ÷ 3,2	2,3 ÷ 2,9	3,0 ÷ 3,6
AUE 21 - 8SDS 100/3	4SDF 46/15E	18,5 + 18,5 + 1,1	80	54	125	31	4,6 ÷ 5,2	4,2 ÷ 4,8	5,0 ÷ 5,6
AUE 21 - 8SDS 100/4	4SDF 46/21E	22 + 22 + 1,5	80	72	125	42	6,6 ÷ 7,2	6,2 ÷ 6,8	7,0 ÷ 7,6
AUE 21 - 8SDS 100/5	4SDF 46/31E	30 + 30 + 2,2	80	90	125	52	7,6 ÷ 8,2	7,2 ÷ 7,8	8,0 ÷ 8,6
AUE 21 - 8SDS 100/6	4SDF 46/31E	37 + 37 + 2,2	80	108	125	63	8,1 ÷ 8,7	7,7 ÷ 8,3	8,5 ÷ 9,1
AUE 21 - 8SDS 150/2	4SDF 46/10E	15 + 15 + 0,75	120	30	180	11	2,3 ÷ 2,9	2,0 ÷ 2,6	2,7 ÷ 3,3
AUE 21 - 8SDS 150/3	4SDF 46/15E	22 + 22 + 1,1	120	45	180	16	3,6 ÷ 4,2	3,3 ÷ 3,9	4,0 ÷ 4,6
AUE 21 - 8SDS 150/4	4SDF 46/15E	30 + 30 + 1,1	120	60	180	22	5,6 ÷ 6,2	5,2 ÷ 5,8	6,0 ÷ 6,6
AUE 21 - 8SDS 150/5	4SDF 46/21E	37 + 37 + 1,5	120	75	180	27	6,6 ÷ 7,2	6,2 ÷ 6,8	7,0 ÷ 7,6
AUE 21 - 8SDS 150/6	4SDF 46/31E	45 + 45 + 2,2	120	90	180	33	7,6 ÷ 8,2	7,2 ÷ 7,8	8,0 ÷ 8,6
AUE 21 - 8SDS 150/7	4SDF 46/31E	51 + 51 + 2,2	120	105	180	38	8,1 ÷ 8,7	7,7 ÷ 8,3	8,5 ÷ 9,1
AUE 21 - 10SDS 160/1	4SDF 46/10E	18,5 + 18,5 + 0,75	135	33	190	20	2,3 ÷ 2,9	2,0 ÷ 2,6	2,7 ÷ 3,3
AUE 21 - 10SDS 160/2	4SDF 46/21E	37 + 37 + 1,5	135	66	190	40	6,1 ÷ 6,7	5,7 ÷ 6,3	6,5 ÷ 7,1
AUE 21 - 10SDS 160/3	4SDF 46/31E	55 + 55 + 2,2	145	95	190	60	8,1 ÷ 8,7	7,7 ÷ 8,3	8,5 ÷ 9,1
AUE 21 - 10SDS 190/1	4SDF 46/10E	22 + 22 + 0,75	180	31	250	19	2,3 ÷ 2,9	2,0 ÷ 2,6	2,7 ÷ 3,3
AUE 21 - 10SDS 190/2	4SDF 46/21E	45 + 45 + 1,5	180	62	250	39	5,6 ÷ 6,2	5,2 ÷ 5,8	6,0 ÷ 6,6
AUE 21 - 10SDS 190/3	4SDF 46/31E	66 + 66 + 2,2	180	93	250	59	8,1 ÷ 8,7	7,7 ÷ 8,3	8,5 ÷ 9,1
AUE 21 - 10SDS 280/1	4SD 10/6E	26 + 26 + 1,1	250	25	350	16	2,4 ÷ 3,0	1,9 ÷ 2,5	3,0 ÷ 3,6
AUE 21 - 10SDS 280/2	4SD 10/12E	55 + 55 + 2,2	250	49	350	31	5,0 ÷ 5,6	4,5 ÷ 5,1	5,5 ÷ 6,1
AUE 21 - 10SDS 280/3	4SD 10/17E	75 + 75 + 3	250	73	350	47	7,0 ÷ 7,6	6,5 ÷ 7,1	7,5 ÷ 8,1
AUE 21 - 10SDS 280/4	4SD 10/17E	110 + 110 + 3	250	97	350	63	9,0 ÷ 9,6	8,5 ÷ 9,1	9,5 ÷ 10,1

AUE 11

UNI-EN 12845 units with 1 SDS series submersible borehole main pump

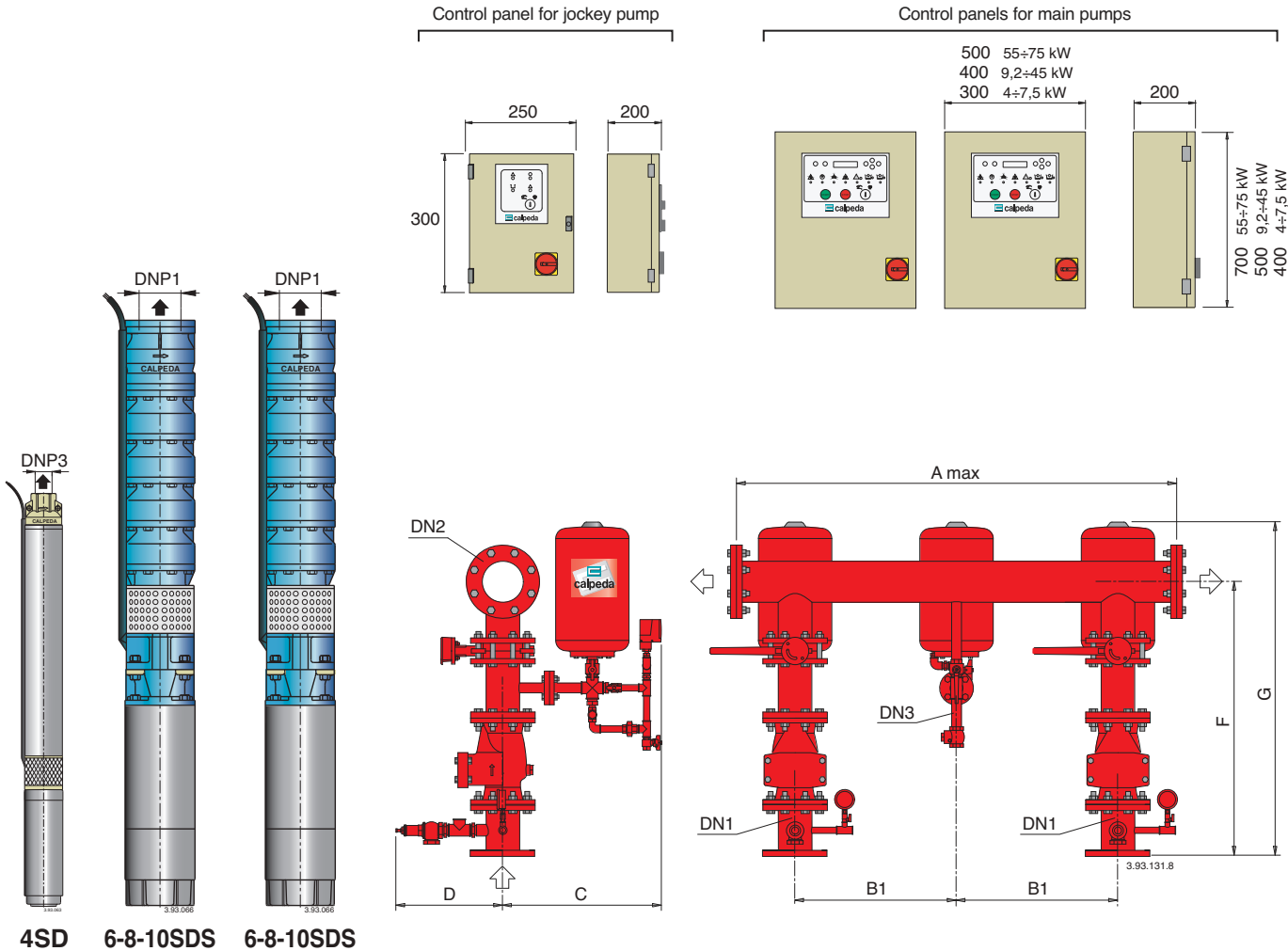


Dimensions



Unit designation	Connections					Dimensions mm					
	DN1	DNP1	DN2	DNP3	DN3	A	B1	C	D	F	G
AUE 11 - 6SDS 32/..	80	G 3	65	G 1 1/4	G 1	800	550	525	430	815	1055
AUE 11 - 6SDS 42/..	80	G 3	65	G 1 1/4	G 1	800	550	525	430	815	1055
AUE 11 - 6SDS 58/..	100	G 4	80	G 1 1/4	G 1	850	550	540	435	840	1075
AUE 11 - 8SDS 70/..	100	100	80	G 1 1/4	G 1	850	550	540	435	840	1075
AUE 11 - 8SDS 100/..	125	125	100	G 1 1/4	G 1	950	700	550	445	920	1335
AUE 11 - 8SDS 150/..	125	125	125	G 1 1/4	G 1	950	700	550	445	920	1335
AUE 11 - 10SDS 160/..	150	175	125	G 1 1/4	G 1	1150	700	560	455	1215	1400
AUE 11 - 10SDS 190/..	200	175	150	G 1 1/4	G 1	1150	700	575	470	1500	1680
AUE 11 - 10SDS 280/..	200	175	150	G 2	G 2	1150	700	575	470	1500	1680

Dimensions



Unit designation	Connections					Dimensions mm					
	DN1	DNP1	DN2	DNP3	DN3	A	B1	C	D	F	G
AUE 21 - 6SDS 32/..	80	G 3	80	G 1 1/4	G 1	1550	550	540	435	855	1075
AUE 21 - 6SDS 42/..	80	G 3	80	G 1 1/4	G 1	1550	550	540	435	855	1075
AUE 21 - 6SDS 58/..	100	G 4	100	G 1 1/4	G 1	1550	550	550	445	935	1335
AUE 21 - 8SDS 70/..	100	100	100	G 1 1/4	G 1	1550	550	550	445	935	1335
AUE 21 - 8SDS 100/..	125	125	125	G 1 1/4	G 1	1900	700	560	455	1230	1400
AUE 21 - 8SDS 150/..	125	125	150	G 1 1/4	G 1	1900	700	560	455	1230	1400
AUE 21 - 10SDS 160/..	150	175	150	G 1 1/4	G 1	1900	700	575	470	1525	1680
AUE 21 - 10SDS 190/..	200	175	200	G 1 1/4	G 1	1900	700	575	470	1525	1680
AUE 21 - 10SDS 280/..	200	175	200	G 2	G 2	1900	700	575	470	1525	1680

Characteristics of full-jet nozzles

Capacity

Pressure bar	Nozzle diameter mm			
	10	12	16	20
	Flow-rate l/min			
3	115	165	295	460
4	130	190	340	530
5	150	215	380	590
6	160	235	415	650
7	175	250	450	700
8	185	270	480	750

Water-jet range

Pressure bar	Nozzle diameter mm			
	10	12	16	20
	Range m			
3	10 a 20	11 a 22	15 a 30	16 a 33
5	11 a 23	11 a 25	17 a 33	18 a 36
8	12 a 26	12 a 30	19 a 36	20 a 40

Characteristics of sprinkler nozzles

Capacity

Pressure bar	Rated diameter of orifice mm		
	10	15	20
	Flow-rate l/min		
2	80	113	162
3	98	139	199
4	114	160	230
5	127	180	258
6	139	196	282
7	150	214	305
8	161	226	325
9	171	240	345